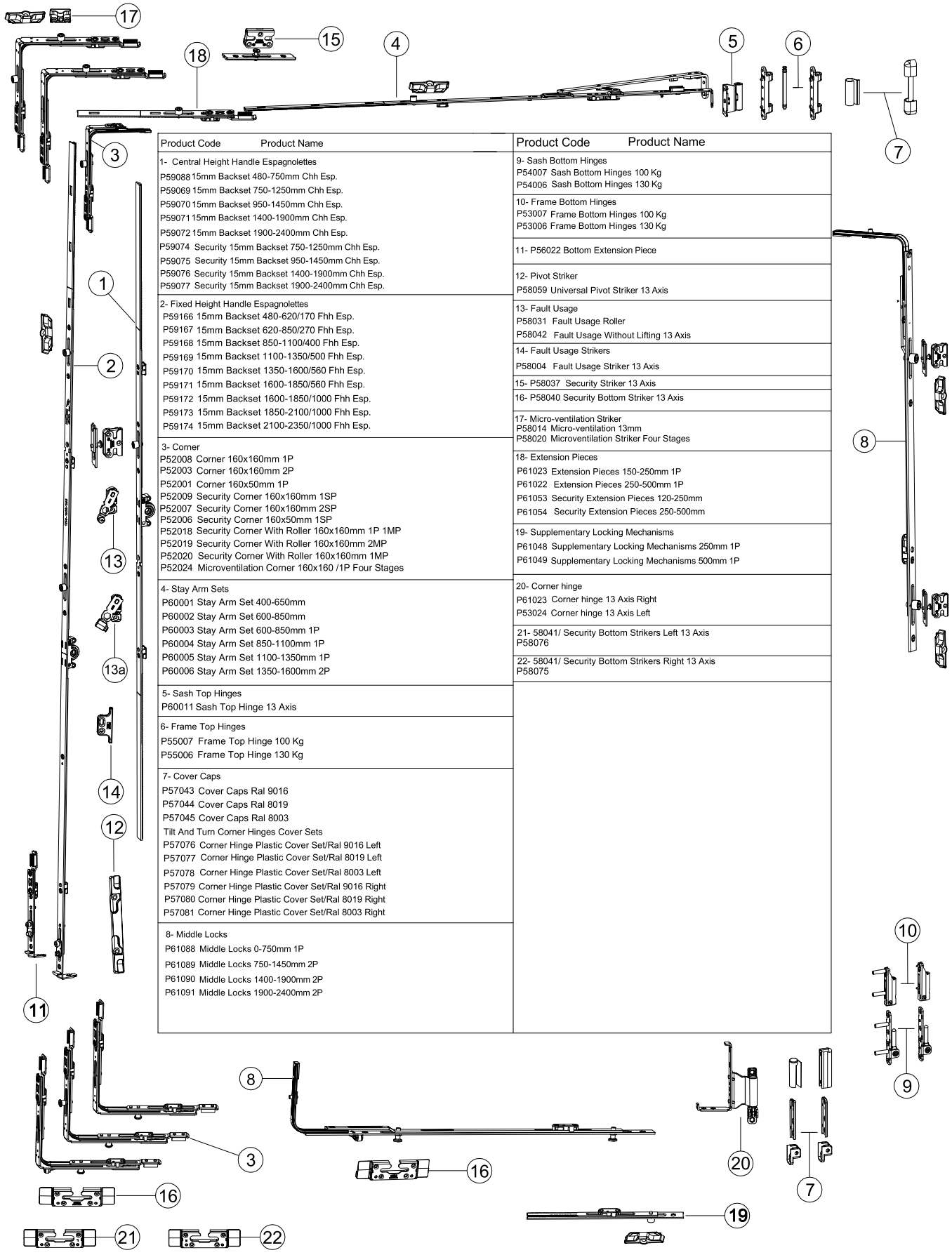


Tilt And Turn Systems



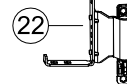
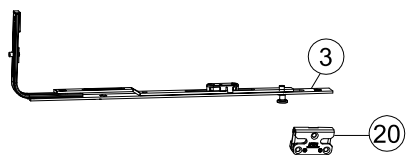
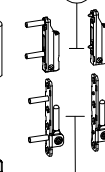
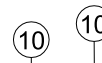
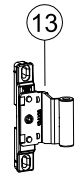
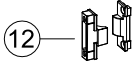
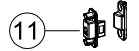
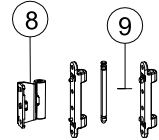
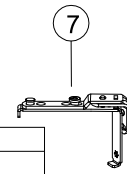
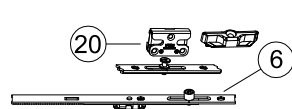
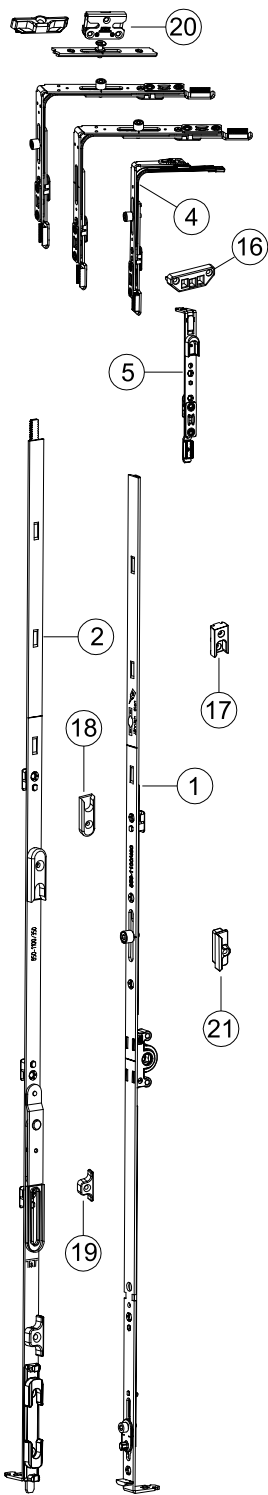
www.tandt.com.tr

Tilt And Turn Systems / Components



Product Code	Product Name	Product Code	Product Name
1- Central Height Handle Espagnolettes P59088 15mm Backset 480-750mm Chh Esp. P59069 15mm Backset 750-1250mm Chh Esp. P59070 15mm Backset 950-1450mm Chh Esp. P59071 15mm Backset 1400-1900mm Chh Esp. P59072 15mm Backset 1900-2400mm Chh Esp. P59074 Security 15mm Backset 750-1250mm Chh Esp. P59075 Security 15mm Backset 950-1450mm Chh Esp. P59076 Security 15mm Backset 1400-1900mm Chh Esp. P59077 Security 15mm Backset 1900-2400mm Chh Esp.		9- Sash Bottom Hinges P54007 Sash Bottom Hinges 100 Kg P54006 Sash Bottom Hinges 130 Kg	
2- Fixed Height Handle Espagnolettes P59166 15mm Backset 480-620/170 Fhh Esp. P59167 15mm Backset 620-850/270 Fhh Esp. P59168 15mm Backset 850-1100/400 Fhh Esp. P59169 15mm Backset 1100-1350/500 Fhh Esp. P59170 15mm Backset 1350-1600/560 Fhh Esp. P59171 15mm Backset 1600-1850/560 Fhh Esp. P59172 15mm Backset 1600-1850/1000 Fhh Esp. P59173 15mm Backset 1850-2100/1000 Fhh Esp. P59174 15mm Backset 2100-2350/1000 Fhh Esp.		10- Frame Bottom Hinges P53007 Frame Bottom Hinges 100 Kg P53006 Frame Bottom Hinges 130 Kg	
3- Corner P52008 Corner 160x160mm 1P P52003 Corner 160x160mm 2P P52001 Corner 160x50mm 1P P52009 Security Corner 160x160mm 1SP P52007 Security Corner 160x160mm 2SP P52006 Security Corner 160x50mm 1SP P52018 Security Corner With Roller 160x160mm 1P 1MP P52019 Security Corner With Roller 160x160mm 2MP P52020 Security Corner With Roller 160x160mm 1MP P52024 Microventilation Corner 160x160 /1P Four Stages		11- P56022 Bottom Extension Piece	
4- Stay Arm Sets P60001 Stay Arm Set 400-650mm P60002 Stay Arm Set 600-850mm P60003 Stay Arm Set 600-850mm 1P P60004 Stay Arm Set 850-1100mm 1P P60005 Stay Arm Set 1100-1350mm 1P P60006 Stay Arm Set 1350-1600mm 2P		12- Pivot Striker P58059 Universal Pivot Striker 13 Axis	
5- Sash Top Hinges P60011 Sash Top Hinge 13 Axis		13- Fault Usage P58031 Fault Usage Roller P58042 Fault Usage Without Lifting 13 Axis	
6- Frame Top Hinges P55007 Frame Top Hinge 100 Kg P55006 Frame Top Hinge 130 Kg		14- Fault Usage Strikers P58004 Fault Usage Striker 13 Axis	
7- Cover Caps P57043 Cover Caps Ral 9016 P57044 Cover Caps Ral 8019 P57045 Cover Caps Ral 8003 Tilt And Turn Corner Hinges Cover Sets P57076 Corner Hinge Plastic Cover Set/Ral 9016 Left P57077 Corner Hinge Plastic Cover Set/Ral 8019 Left P57078 Corner Hinge Plastic Cover Set/Ral 8003 Left P57079 Corner Hinge Plastic Cover Set/Ral 9016 Right P57080 Corner Hinge Plastic Cover Set/Ral 8019 Right P57081 Corner Hinge Plastic Cover Set/Ral 8003 Right		15- P58037 Security Striker 13 Axis 16- P58040 Security Bottom Striker 13 Axis	
8- Middle Locks P61088 Middle Locks 0-750mm 1P P61089 Middle Locks 750-1450mm 2P P61090 Middle Locks 1400-1900mm 2P P61091 Middle Locks 1900-2400mm 2P		17- Micro-ventilation Striker P58014 Micro-ventilation 13mm P58020 Microventilation Striker Four Stages	
		18- Extension Pieces P61023 Extension Pieces 150-250mm 1P P61022 Extension Pieces 250-500mm 1P P61053 Security Extension Pieces 120-250mm P61054 Security Extension Pieces 250-500mm	
		19- Supplementary Locking Mechanisms P61048 Supplementary Locking Mechanisms 250mm 1P P61049 Supplementary Locking Mechanisms 500mm 1P	
		20- Corner hinge P61023 Corner hinge 13 Axis Right P53024 Corner hinge 13 Axis Left	
		21- 58041/ Security Bottom Strikers Left 13 Axis P58076	
		22- 58041/ Security Bottom Strikers Right 13 Axis P58075	

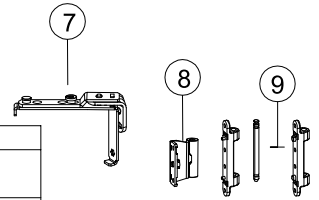
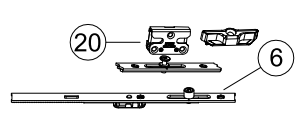
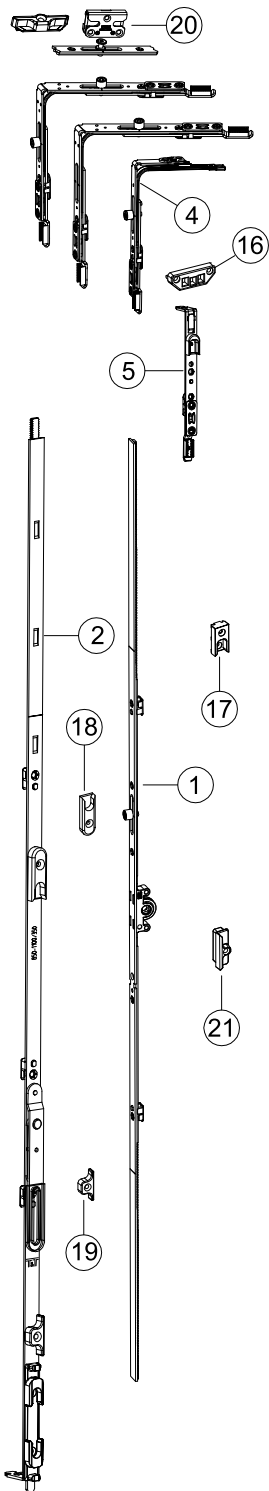
Double Sash Systems Fixed Sash Components



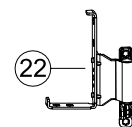
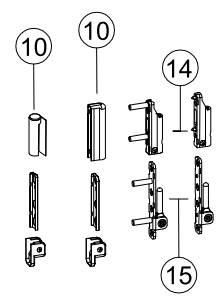
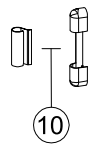
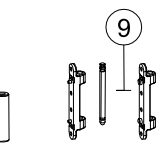
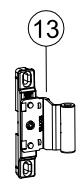
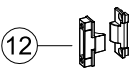
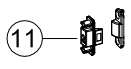
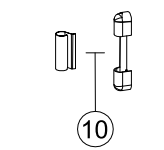
Product Code	Product Name		
1- Fixed Height Handle Espagnolettes			
P59053	15mm Backset 480-620/170mm Fhh Esp.	15-Sash Bottom Hinges	
P59054	15mm Backset 620-850/270mm Fhh Esp.	P54007 Sash Bottom Hinge - 100 KG	
P59055	15mm Backset 850-1100/400mm Fhh Esp.	P54006 Sash Bottom Hinge - 130 KG	
P59056	15mm Backset 1100-1350/500mm Fhh Esp.	16-P67002 Corner Lock Striker 13 Axis	
P59057	15mm Backset 1350-1600/560mm Fhh Esp.	17-P23018 Double Sash Striker	
P59058	15mm Backset 1600-1850/560mm Fhh Esp.	18-P67004 Double Sash Espagnolette Striker	
P59059	15mm Backset 1600-1850/1000mm Fhh Esp.	19-P67003 Double Sash Fault Usage Striker	
P59060	15mm Backset 1850-2100/1000mm Fhh Esp.	20-P58037 Security Striker 13 Axis	
P59061	15mm Backset 2100-2350/1000mm Fhh Esp.	21-P23136 Double Sash Striker with Canal 13 Axis	
P59095	Security 15mm Backset 620-850/270mm Fhh. Esp.	22-Corner Hinges	
P59096	Security 15mm Backset 850-1100/400mm Fhh Esp.	P53023 Corner Hinge 13 Axis Right	
P59097	Security 15mm Backset 1100-1350/500mm Fhh Esp.	P53024 Corner Hinge 13 Axis Left	
P59098	Security 15mm Backset 1350-1600/560mm Fhh Esp.		
P59099	Security 15mm Backset 1600-1850/560mm Fhh Esp.		
P59100	Security 15mm Backset 1600-1850/1000mm Fhh Esp.		
P59101	Security 15mm Backset 1850-2100/1000mm Fhh Esp.		
P59102	Security 15mm Backset 2100-2350/1000mm Fhh Esp.		
2- Double Sash Fixed Height Handle Esp.			
P65102	Double Sash 480-620/230mm FHH Esp.		
P65103	Double Sash 620-850/350mm FHH Esp.		
P65104	Double Sash 850-1100/230mm FHH Esp.		
P65105	Double Sash 1100-1350/230mm FHH Esp.		
P65106	Double Sash 1350-1600/500mm FHH Esp.		
P65107	Double Sash 1600-1850/550mm FHH Esp.		
P65108	Double Sash 1850-2100/550mm FHH Esp.		
P65109	Double Sash 2100-2350/550mm FHH Esp.		
3- Security Middle Locks			
P61109	Security Middle Locks With Roller 0-750mm 1MP		
P61115	Security Middle Locks With Roller 750-1250mm 2MP		
P61117	Security Middle Locks With Roller 750-1450mm 1MP 1P		
P61110	Security Middle Locks With Roller 750-1450mm 2MP		
P61113	Security Middle Locks With Roller 950-1450mm 2MP		
P61114	Security Middle Locks With Roller 1150-1650mm 2MP		
P61116	Security Middle Locks With Roller 1250-1900mm 2MP		
P61118	Security Middle Locks With Roller 1400-1900mm 1MP 1P		
P61111	Security Middle Locks With Roller 1400-1900mm 2MP		
P61119	Security Middle Locks With Roller 1900-2400mm 1MP 2P		
P61112	Security Middle Locks With Roller 1900-2400mm 3MP		
4-Corner			
P52008	Corner 160x160mm 1P		
P52003	Corner 160x160mm 2P		
P52001	Corner 160x50mm 1P		
P52009	Security Corner 160x160mm 1SP		
P52007	Security Corner 160x160mm 2SP		
P52006	Security Corner 160x50mm 1SP		
P52018	Security Corner With Roller 160x160mm 1P 1MP		
P52019	Security Corner With Roller 160x160mm 2MP		
P52020	Security Corner With Roller 160x160mm 1MP		
5-P56024 Turn Lock / Top			
6-Supplementary Locking Mechanisms			
P61048	Supplementary Locking Mechanism 250mm		
P61049	Supplementary Locking Mechanism 500mm		
P61003	Supplementary Locking Mechanism 250mm 1MP		
P61004	Supplementary Locking Mechanism 500mm 1MP		
7-P66020-Passive Hinge			
8-P60011 Sash Top Hinge 13 Axis			
9-Frame Top Hinges			
P55007	Frame Top Hinge - 100 KG		
P55006	Frame Top Hinge - 130 KG		
10-Plastic Cover Caps			
P57043	Plastic Cover Caps Ral 9016		
P57044	Plastic Cover Caps Ral 8019		
P57045	Plastic Cover Caps Ral 8003		
Corner Hinge Plastic Cover Caps			
P57076	Corner Hinge Plastic Cover Cap Set Ral 9016 Left		
P57077	Corner Hinge Plastic Cover Cap Set Ral 8019 Left		
P57078	Corner Hinge Plastic Cover Cap Set Ral 8003 Left		
P57079	Corner Hinge Plastic Cover Cap Set Ral 9016 Right		
P57080	Corner Hinge Plastic Cover Cap Set Ral 8019 Right		
P57081	Corner Hinge Plastic Cover Cap Set Ral 8003 Right		
11-Inner Center Zamak Rotating Hinges			
P23082	Inner Center Zamak Rotating Hinge 13 Axis		
12-Inner Center Plastic Rotating Hinges			
P57018	Inner Center Plastic Rotating Hinge 13 Axis		
13-Double Sash Center Rotating Hinges			
P66001	Double Sash Center Rotating Hinges 09 Axis		
P66002	Double Sash Center Rotating Hinges 13 Axis		
14-Frame Bottom Hinges			
P53007	Frame Bottom Hinge - 100 KG		
P53006	Frame Bottom Hinge - 130 KG		



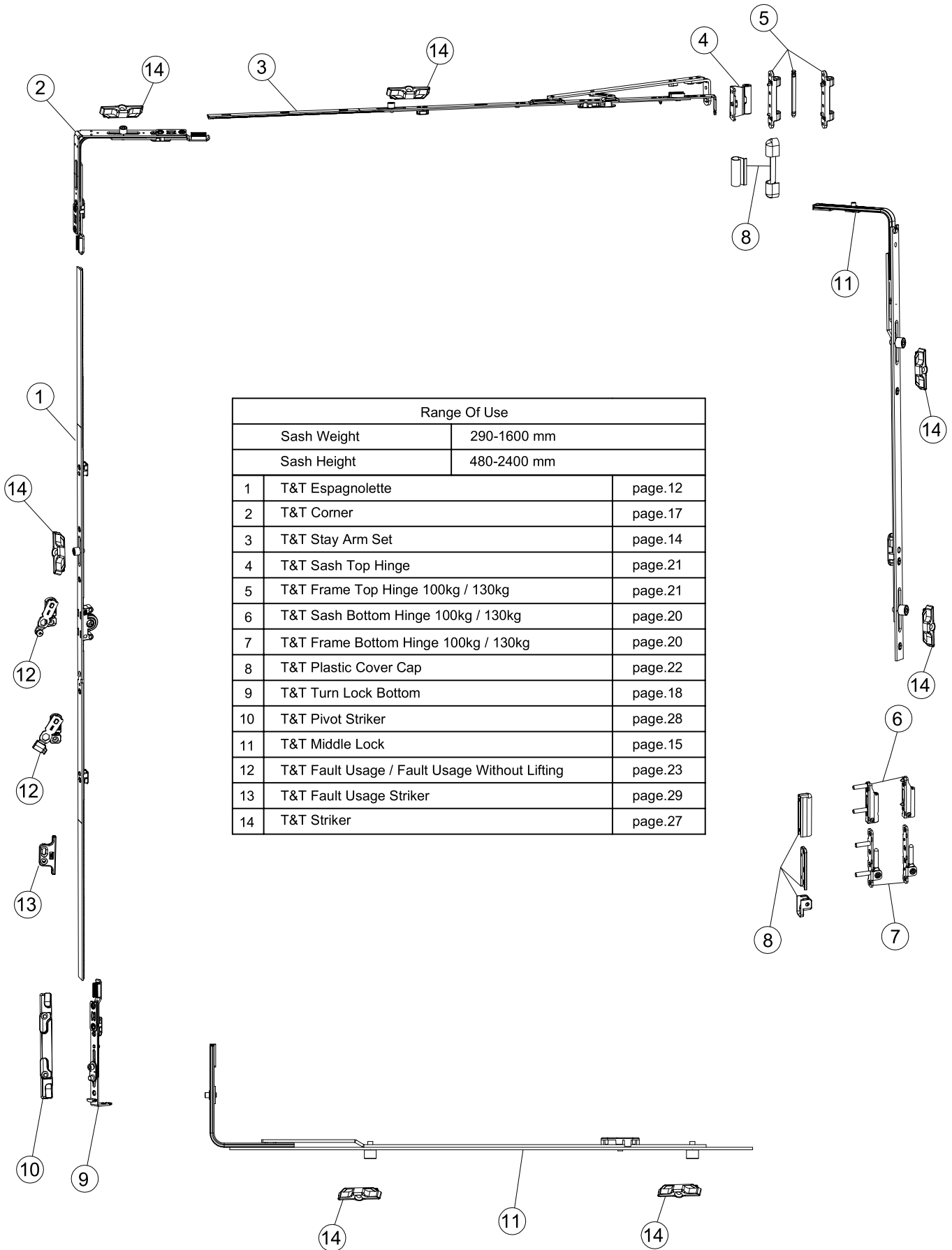
Double Sash Systems Fixed Sash Components Chh



Product Code	Product Name
1- Central Height Handle Espagnolettes	
P59088	15mm Backset 480-750mm Chh Esp.
P59069	15mm Backset 750-1250mm Chh Esp.
P59070	15mm Backset 950-1450mm Chh Esp.
P59071	15mm Backset 1400-1900mm Chh Esp.
P59072	15mm Backset 1900-2400mm Chh Esp.
P59074	Security 15mm Backset 750-1250mm Chh Esp.
P59075	Security 15mm Backset 950-1450mm Chh Esp.
P59076	Security 15mm Backset 1400-1900mm Chh Esp.
P59077	Security 15mm Backset 1900-2400mm Chh Esp.
2- Double Sash Fixed Height Handle Esp.	
P65102	Double Sash 480-620/230mm FHH Esp.
P65103	Double Sash 620-850/350mm FHH Esp.
P65104	Double Sash 850-1100/230mm FHH Esp.
P65105	Double Sash 1100-1350/230mm FHH Esp.
P65106	Double Sash 1350-1600/500mm FHH Esp.
P65107	Double Sash 1600-1850/550mm FHH Esp.
P65108	Double Sash 1850-2100/550mm FHH Esp.
P65109	Double Sash 2100-2350/550mm FHH Esp.
3- Security Middle Locks	
P61109	Security Middle Locks With Roller 0-750mm 1MP
P61115	Security Middle Locks With Roller 750-1250mm 2MP
P61117	Security Middle Locks With Roller 750-1450mm 1MP 1P
P61110	Security Middle Locks With Roller 750-1450mm 2MP
P61113	Security Middle Locks With Roller 950-1450mm 2MP
P61114	Security Middle Locks With Roller 1150-1650mm 2MP
P61116	Security Middle Locks With Roller 1250-1900mm 2MP
P61118	Security Middle Locks With Roller 1400-1900mm 1MP 1P
P61111	Security Middle Locks With Roller 1400-1900mm 2MP
P61119	Security Middle Locks With Roller 1900-2400mm 1MP 2P
P61112	Security Middle Locks With Roller 1900-2400mm 3MP
4-Corner	
P52008	Corner 160x160mm 1P
P52003	Corner 160x160mm 2P
P52001	Corner 160x50mm 1P
P52009	Security Corner 160x160mm 1SP
P52007	Security Corner 160x160mm 2SP
P52006	Security Corner 160x50mm 1SP
P52018	Security Corner With Roller 160x160mm 1P 1MP
P52019	Security Corner With Roller 160x160mm 2MP
P52020	Security Corner With Roller 160x160mm 1MP
5-P56024 Turn Lock / Top	
6-Supplementary Locking Mechanisms	
P61048	Supplementary Locking Mechanism 250mm
P61049	Supplementary Locking Mechanism 500mm
P61003	Supplementary Locking Mechanism 250mm 1MP
P61004	Supplementary Locking Mechanism 500mm 1MP
7-P66020-Passive Hinge	
8-P60011 Sash Top Hinge 13 Axis	
9-Frame Top Hinges	
P55007	Frame Top Hinge - 100 KG
P55006	Frame Top Hinge - 130 KG
10-Plastic Cover Caps	
P57043	Plastic Cover Caps Ral 9016
P57044	Plastic Cover Caps Ral 8019
P57045	Plastic Cover Caps Ral 8003
Corner Hinge Plastic Cover Caps	
P57076	Corner Hinge Plastic Cover Cap Set Ral 9016 Left
P57077	Corner Hinge Plastic Cover Cap Set Ral 8019 Left
P57078	Corner Hinge Plastic Cover Cap Set Ral 8003 Left
P57079	Corner Hinge Plastic Cover Cap Set Ral 9016 Right
P57080	Corner Hinge Plastic Cover Cap Set Ral 8019 Right
P57081	Corner Hinge Plastic Cover Cap Set Ral 8003 Right
11-Inner Center Zamak Rotating Hinges	
P23082	Inner Center Zamak Rotating Hinge 13 Axis
12-Inner Center Plastic Rotating Hinges	
P57018	Inner Center Plastic Rotating Hinge 13 Axis
13-Double Sash Center Rotating Hinges	
P66001	Double Sash Center Rotating Hinges 09 Axis
P66002	Double Sash Center Rotating Hinges 13 Axis
14-Frame Bottom Hinges	
P53007	Frame Bottom Hinge - 100 KG
P53006	Frame Bottom Hinge - 130 KG
15-Sash Bottom Hinges	
P54007	Sash Bottom Hinge - 100 KG
P54006	Sash Bottom Hinge - 130 KG
16-P67002 Corner Lock Striker 13 Axis	
17-P23018 Double Sash Striker	
18-P67004 Double Sash Espagnolette Striker	
19-P67003 Double Sash Fault Usage Striker	
20-P58037 Security Striker 13 Axis	
21-P23136 Double Sash Striker with Canal 13 Axis	
22-Corner Hinges	
P53023	Corner Hinge 13 Axis Right
P53024	Corner Hinge 13 Axis Left
23- P56022 Bottom Extension Piece	

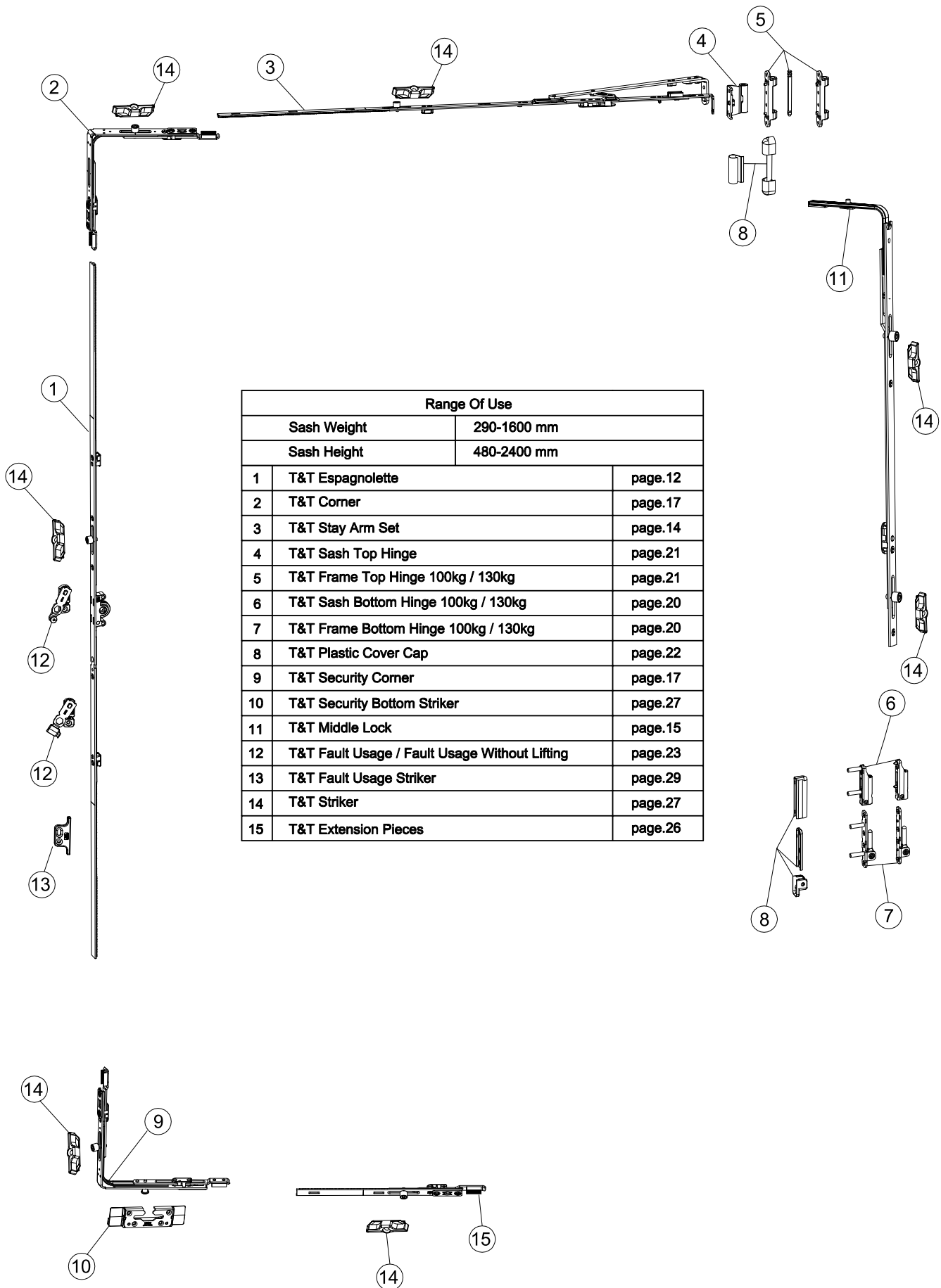


Tilt And Turn System / Vertical Application



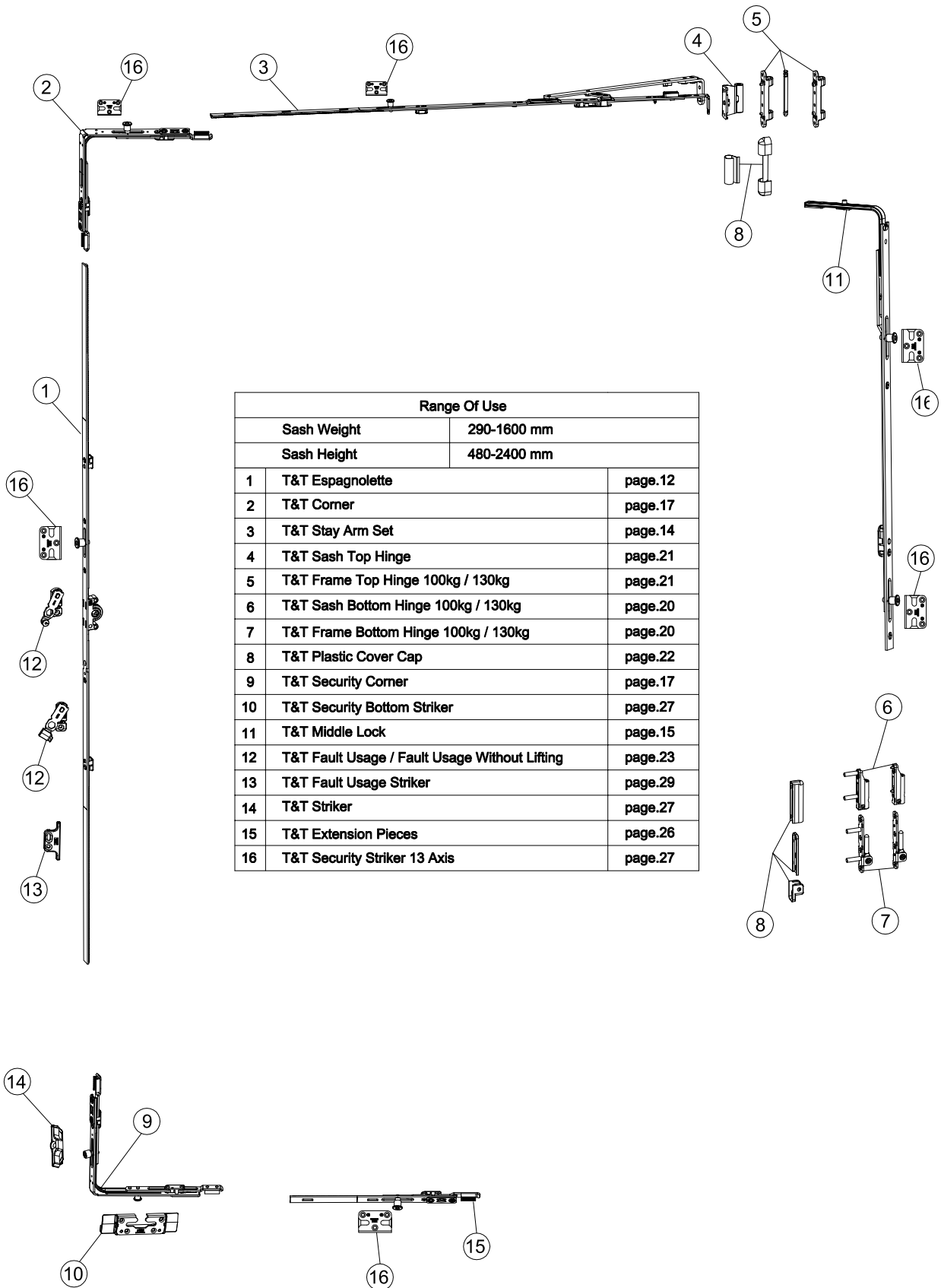
Range Of Use		
Sash Weight	290-1600 mm	
Sash Height	480-2400 mm	
1	T&T Espagnolette	page.12
2	T&T Corner	page.17
3	T&T Stay Arm Set	page.14
4	T&T Sash Top Hinge	page.21
5	T&T Frame Top Hinge 100kg / 130kg	page.21
6	T&T Sash Bottom Hinge 100kg / 130kg	page.20
7	T&T Frame Bottom Hinge 100kg / 130kg	page.20
8	T&T Plastic Cover Cap	page.22
9	T&T Turn Lock Bottom	page.18
10	T&T Pivot Striker	page.28
11	T&T Middle Lock	page.15
12	T&T Fault Usage / Fault Usage Without Lifting	page.23
13	T&T Fault Usage Striker	page.29
14	T&T Striker	page.27

Tilt And Turn System / Horizontal Application

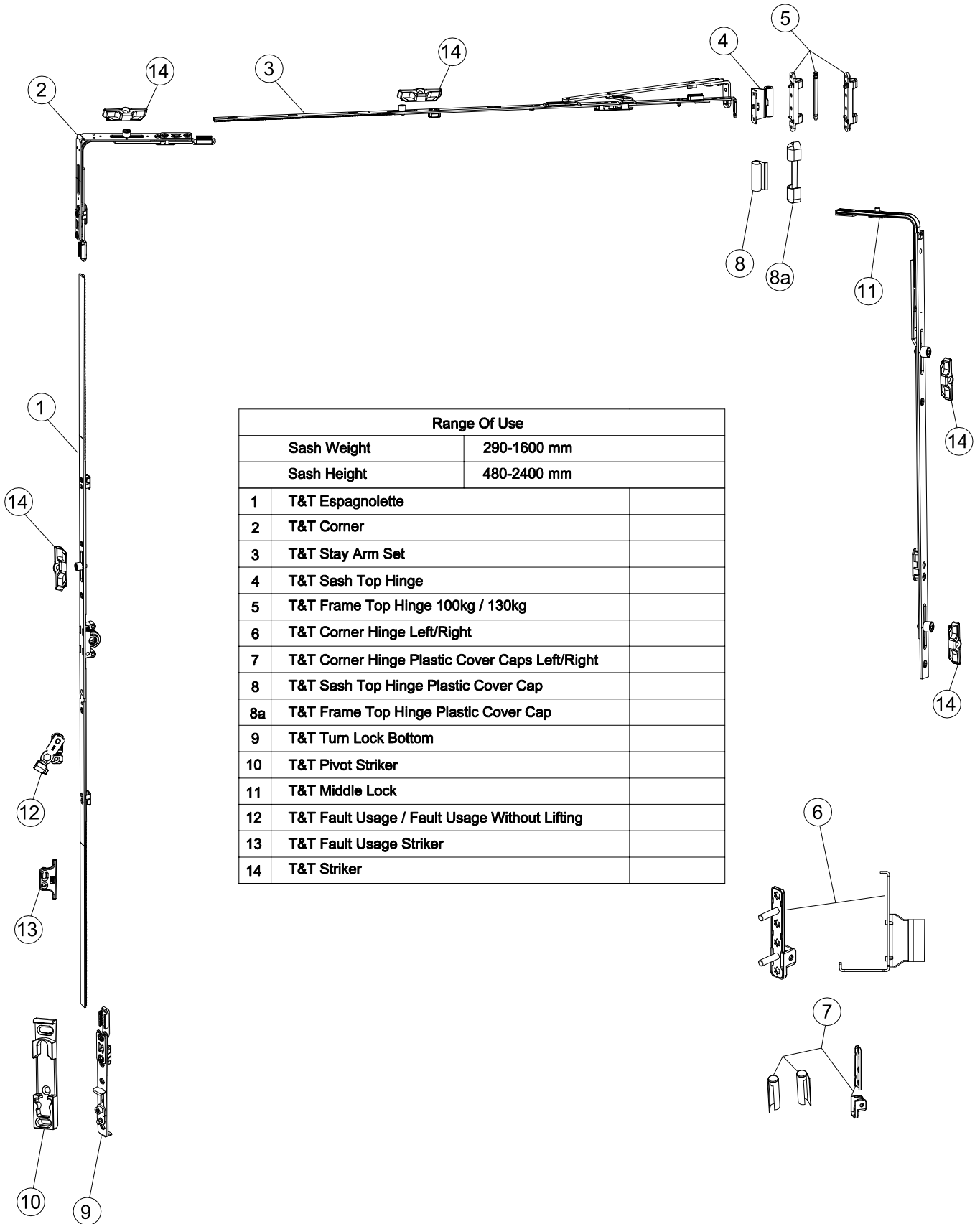


Range Of Use		
Sash Weight		290-1600 mm
Sash Height		480-2400 mm
1	T&T Espagnolette	page.12
2	T&T Corner	page.17
3	T&T Stay Arm Set	page.14
4	T&T Sash Top Hinge	page.21
5	T&T Frame Top Hinge 100kg / 130kg	page.21
6	T&T Sash Bottom Hinge 100kg / 130kg	page.20
7	T&T Frame Bottom Hinge 100kg / 130kg	page.20
8	T&T Plastic Cover Cap	page.22
9	T&T Security Corner	page.17
10	T&T Security Bottom Striker	page.27
11	T&T Middle Lock	page.15
12	T&T Fault Usage / Fault Usage Without Lifting	page.23
13	T&T Fault Usage Striker	page.29
14	T&T Striker	page.27
15	T&T Extension Pieces	page.26

Tilt And Turn System / Security Application

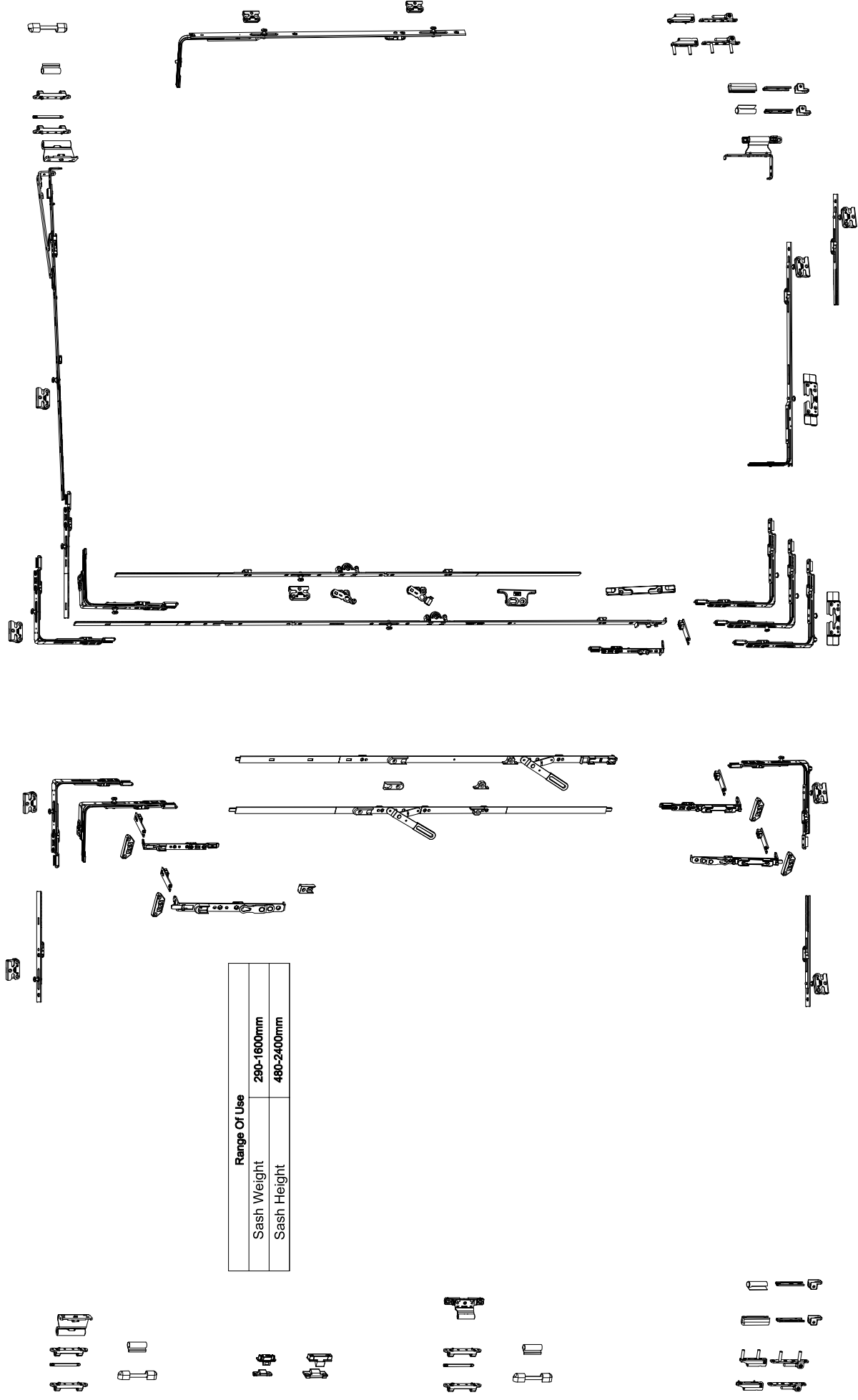


Tilt And Turn System / Aluminum Application Euro Grove



Range Of Use	
Sash Weight	290-1600 mm
Sash Height	480-2400 mm
1	T&T Espagnolette
2	T&T Corner
3	T&T Stay Arm Set
4	T&T Sash Top Hinge
5	T&T Frame Top Hinge 100kg / 130kg
6	T&T Corner Hinge Left/Right
7	T&T Corner Hinge Plastic Cover Caps Left/Right
8	T&T Sash Top Hinge Plastic Cover Cap
8a	T&T Frame Top Hinge Plastic Cover Cap
9	T&T Turn Lock Bottom
10	T&T Pivot Striker
11	T&T Middle Lock
12	T&T Fault Usage / Fault Usage Without Lifting
13	T&T Fault Usage Striker
14	T&T Striker

Double Sash Systems Turn Only / Security Application



Range Of Use	
Sash Weight	290-1600mm
Sash Height	480-2400mm



ift
KONNEKT

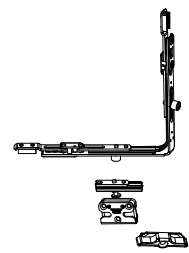
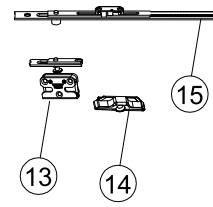
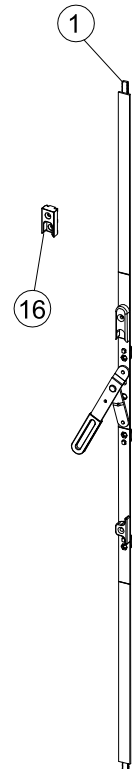
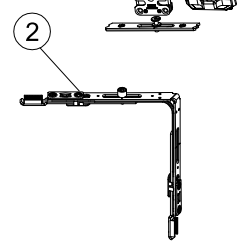
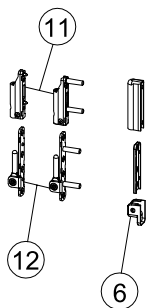
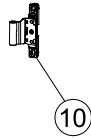
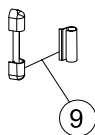
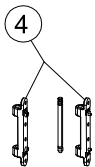
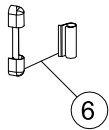
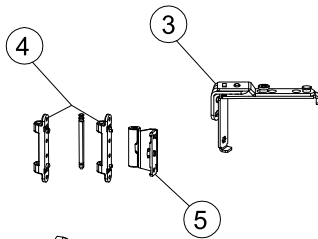
TSE

PC

SGS

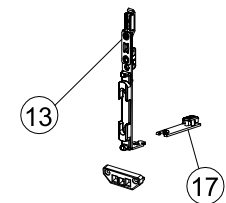
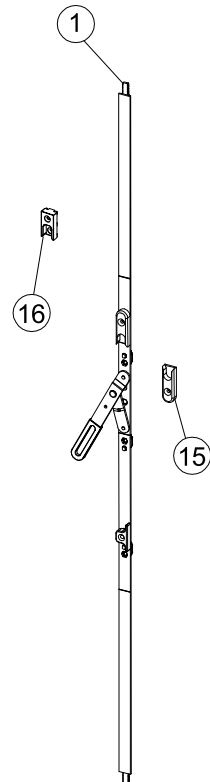
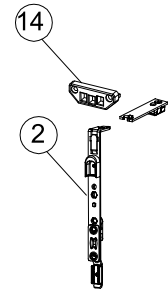
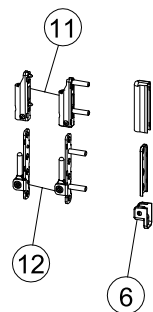
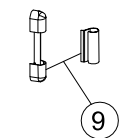
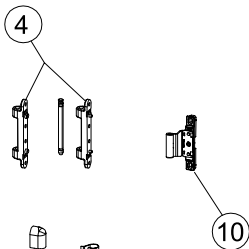
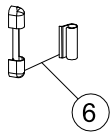
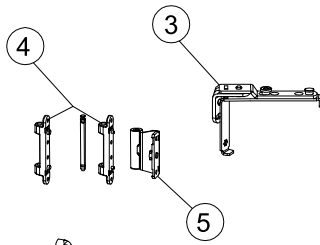
SGS

Double Sash Systems / Fixed Sash / Application Of Double Sash Espagnolette With Corner (Centered Height Hadle)



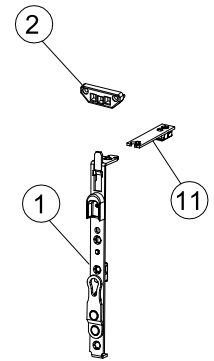
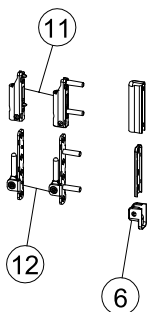
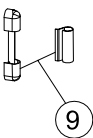
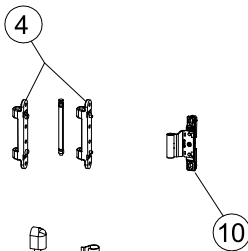
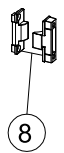
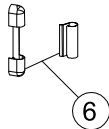
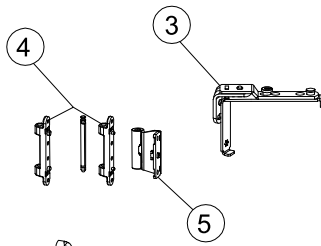
Range Of Use		
Sash Weight	290-1600 mm	
Sash Height	480-2400 mm	
1	T&T Double Sash Espagnolette	page.14
2	T&T Corner	page.17
3	T&T Passive Hinge	page.25
4	T&T Frame Top Hinge 100kg / 130kg	page.21
5	T&T Sash Top Hinge	page.21
6	T&T Plastic Cover Set	page.22
11	T&T Sash Bottom Hinge	page.20
12	T&T Frame Bottom Hinge 100kg / 130kg	page.20
13	T&T Security Striker 13 Axis	page.27
14	T&T Striker	page.27
17	T&T Double Sash Striker	page.29
Additional Products		
7	T&T Inner Centre Rotating Hinge Zamak	page.30
8	T&T Inner Centre Rotating Hinge Plastic	page.30
9	T&T Sash/Frame Top Hinge Cover Cap	page.22
10	T&T Centre Rotating Hinge	page.21
15	T&T Supplementary Locking Mech.	page.26
16	T&T Double Sash Esp. Striker	page.29

Double Sash Systems / Fixed Sash / Application Of Double Sash Espagnolette Turn Lock (Centered Height Hadle)

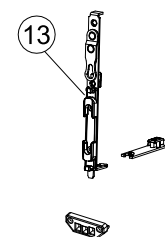


Range Of Use		
Sash Weight	290-1600 mm	
Sash Height	480-2400 mm	
1	T&T Double Sash Espagnolette	page.24
2	T&T Turn Lock / Top	page.19
3	T&T Passive Hinge	page.25
4	T&T Frame Top Hinge 100kg / 130kg	page.21
5	T&T Sash Top Hinge	page.21
6	T&T Plastic Cover Set	page.22
11	T&T Sash Bottom Hinge	page.20
12	T&T Frame Bottom Hinge 100kg / 130kg	page.20
13	T&T Turn Lock / Bottom	page.19
14	T&T Corner Lock Striker	page.28
15	T&T Double Sash Striker	page.29
Additional Products		
7	T&T Inner Centre Rotating Hinge Zamak	page.30
8	T&T Inner Centre Rotating Hinge Plastic	page.30
9	T&T Sash/Frame Top Hinge Cover Cap	page.22
10	T&T Centre Rotating Hinge	page.21
16	T&T Double Sash Esp. Striker	page.29
17	Fixing Plate	page.25

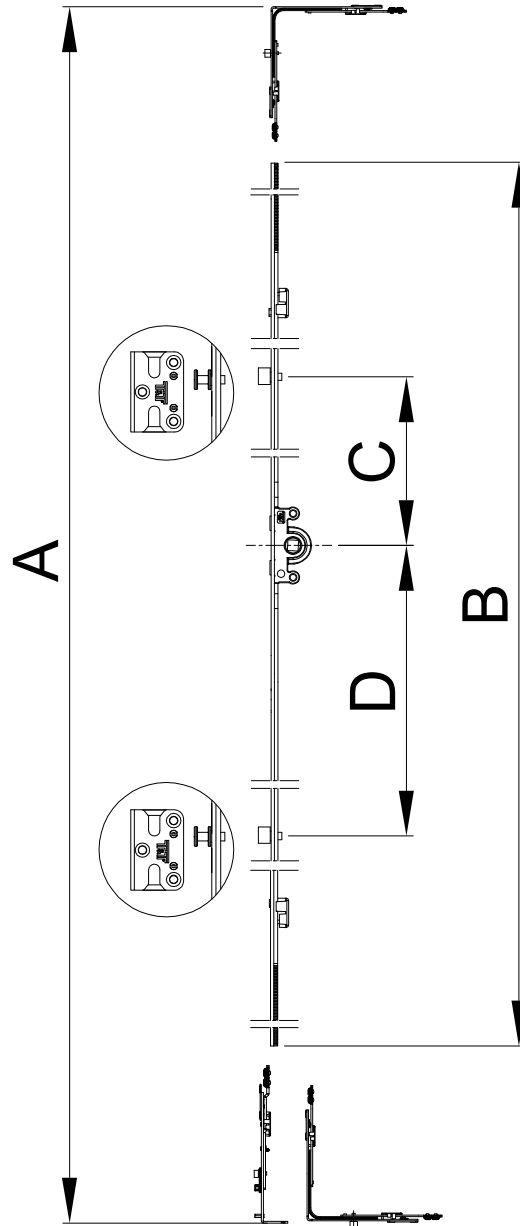
Double Sash Systems / Fixed Sash / Application Of Locking Bolt



Range Of Use		
Sash Weight	290-1600 mm	
Sash Height	480-2400 mm	
1	T&T Locking Bolt With Roller Striker / Top	page.19
2	T&T Corner Lock Strikers	page.28
3	T&T Passive Hinge	page.25
4	T&T Frame Top Hinge 100kg / 130kg	page.21
5	T&T Sash Top Hinge	page.21
6	T&T Plastic Cover Set	page.22
11	T&T Sash Bottom Hinge	page.20
12	T&T Frame Bottom Hinge 100kg / 130kg	page.20
13	T&T Locking Bolt With Roller Striker / Bottom	page.19
Additional Products		
7	T&T Inner Centre Rotating Hinge Zamak	page.30
8	T&T Inner Centre Rotating Hinge Plastic	page.30
9	T&T Sash/Frame Top Hinge Cover Cap	page.22
10	T&T Centre Rotating Hinge	page.21
11	Fixing Plate	page.25

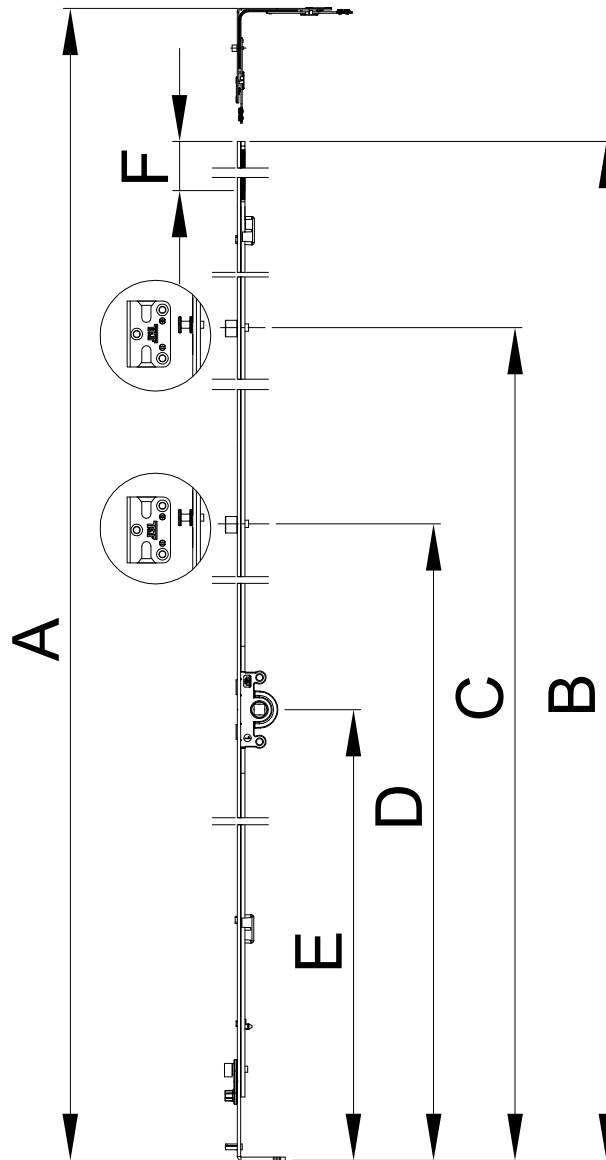



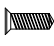
Tilt And Turn 15mm Backset Espagnolettes



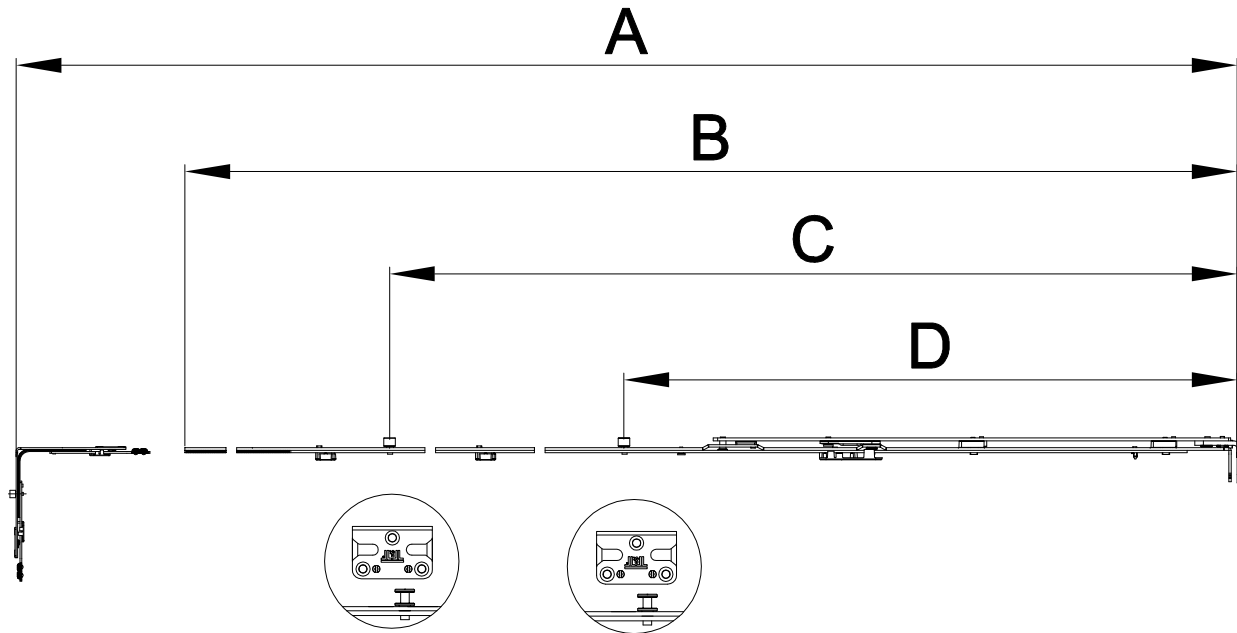
Product Code	Product Name	A(mm)	B(mm)	C(mm)	D(mm)		
P59088	15mm Backset 480-750mm Chh Esp.	480-750mm	430mm	-	-	-	-
P59069	15mm Backset 750-1250mm Chh Esp.	750-1250mm	930mm	115mm	-	1	3
P59074	15mm Backset 750-1250mm Chh Esp. SP	750-1250mm	930mm	115mm	-	1	3
P59070	15mm Backset 950-1450mm Chh Esp.	950-1450mm	1130mm	115mm	-	1	5
P59075	15mm Backset 950-1450mm Chh Esp. SP	950-1450 mm	1130mm	115mm	-	1	5
P59071	15mm Backset 1400-1900mm Chh Esp.	1400-1900mm	1580mm	350mm	330mm	2	6
P59076	15mm Backset 1400-1900mm Chh Esp. SP	1400-1900mm	1580mm	350mm	330mm	2	6
P59072	15mm Backset 1900-2400mm Chh Esp.	1900-2400mm	2080mm	350mm	330mm	2	8
P59077	15mm Backset 1900-2400mm Chh Esp. SP	1900-2400mm	2080mm	350mm	330mm	2	8



Fixed Height Handle Espagnolettes



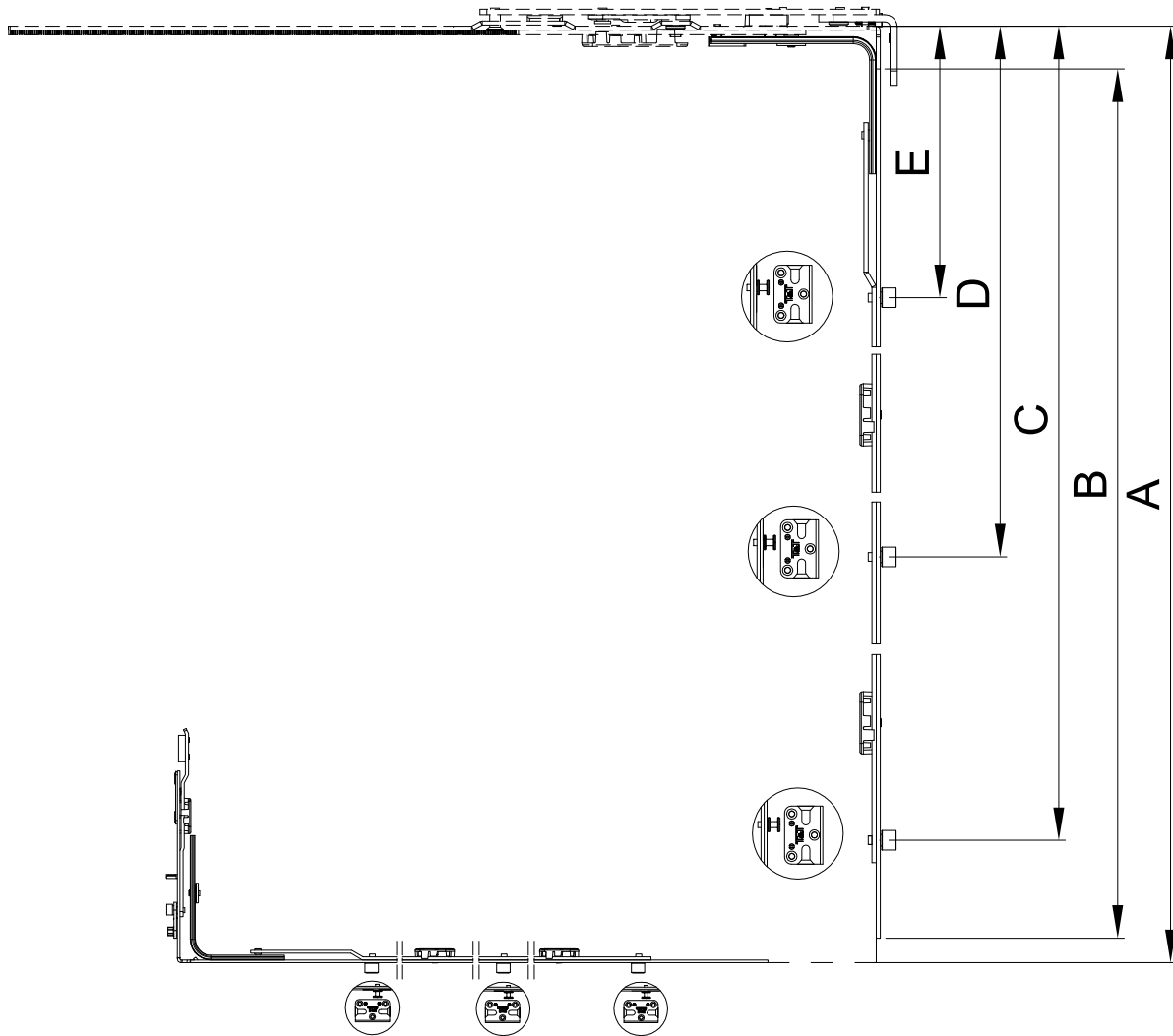
Product Code	Product Name	A(mm)	B(mm)	C(mm)	D(mm)	E(mm)	F(mm) (CUT)		
P59166	15mm Backset MD 480-620 Fhh Esp.	480-620	460	-	-	170	140	-	2
P59167	15mm Backset MD 620-850 Fhh Esp.	620-850	690	-	385	270	230	1	3
P59168	15mm Backset MD 850-1100 Fhh Esp.	850-1100	940	-	515	400	250	1	5
P59169	15mm Backset MD 1100-1350 Fhh Esp.	1100-1350	1190	-	615	500	250	1	6
P59170	15mm Backset MD 1350-1600 Fhh Esp.	1350-1600	1440	1080	675	560	250	2	8
P59171	15mm Backset MD 1600-1850 Fhh Esp.	1600-1850	1690	1330	675	560	250	2	9
P59172	15mm Backset MD 1600-1850 Fhh Esp.	1600-1850	1690	1330	675	1000	250	2	9
P59173	15mm Backset MD 1850-2100 Fhh Esp.	1850-2100	1940	1330	675	1000	250	2	10
P59174	15mm Backset MD 2100 -2350 Fhh Esp.	2100-2350	2190	1330	675	1000	250	2	11


Tilt and Turn Stay Arms



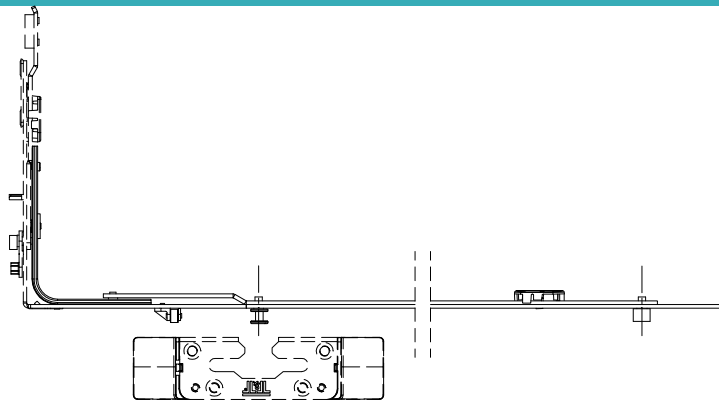
Product Code	Product Name	A(mm)	B(mm)	C(mm)	D(mm)		
P60142	Stay Arm Set 401-510mm	401-510	357	-	-	-	3
P60001	Stay Arm Set 400-650mm	400-650	495	-	-	-	3
P60002	Stay Arm Set 600-850mm	600-850	695	-	-	-	5
P60003	Stay Arm Set 600-850mm 1P	600-850	695	-	380	1	5
P60004	Stay Arm Set 850-1100mm 1P	850-1100	945	-	585	1	6
P60005	Stay Arm Set 1100-1350mm 1P	1100-1350	1195	-	585	1	8
P60006	Stay Arm Set 1350-1600mm 2P	1350-1600	1445	1075	585	2	9
P60007	Security Stay Arm Set 600-850mm 1SP	600-850	695	-	380	1	5
P60008	Security Stay Arm Set 850-1100mm 1SP	850-1100	945	-	585	1	6
P60009	Security Stay Arm Set 1100-1350mm 1SP	1100-1350	1195	-	585	1	8
P60010	Security Stay Arm Set 1350-1600mm 2SP	1350-1600	1445	1075	585	2	9

Tilt And Turn Middle Locks



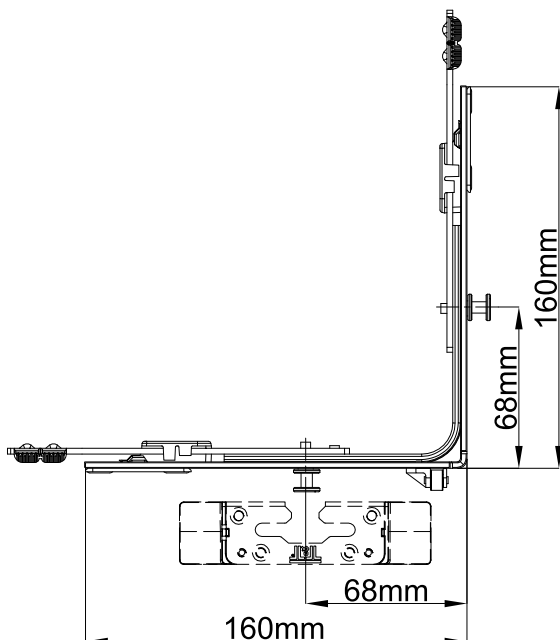
Product Code	Product Name	A(mm)	B(mm)	C(mm)	D(mm)	E(mm)		
P61088	Middle Lock 0-750mm	0-750mm	335mm	-	-	305mm	1	3
P61089	Middle Lock 750-1450mm	750-1450mm	480mm	-	447mm	152.5mm	2	4
P61090	Middle Lock 1400-1900mm	1400-1900mm	760mm	-	730mm	152.5mm	2	4
P61091	Middle Lock 1900-2400 (1388mm)	1900-2400mm	1370mm	1338mm	760mm	152.5mm	3	8
P61092	Middle Lock 1900-2400 (1853mm)	1900-2400mm	1835mm	1803mm	975mm	152.5mm	3	9
P61093	Middle Lock 950-1450mm	950-1450mm	890mm	-	860mm	152.5mm	2	4
P61094	Middle Lock 1150-1650mm	1150-1650mm	580mm	-	550mm	152.5mm	2	4
P61095	Middle Lock 750-1250mm	750-1250mm	530mm	-	500mm	152.5mm	2	4
P61096	Middle Lock 1250-1900mm	1250-1900mm	830mm	-	800mm	152.5mm	2	4
P61097	Security Middle Lock 0-750mm /MP	0-750mm	335mm	-	-	305mm	1	3
P61098	Security Middle Lock 750-1450mm /MP	750-1450mm	480mm	-	447mm	152.5mm	2	4
P61099	Security Middle Lock 1400-1900mm /MP	1400-1900mm	760mm	-	730mm	152.5mm	2	4
P61100	Security Middle Lock 1900-2400mm /MP	1900-2400mm	1370mm	1338mm	760mm	152.5mm	3	8
P61101	Security Middle Lock 950-1450mm /MP	950-1450mm	890mm	-	860mm	152.5mm	2	4
P61102	Security Middle Lock 1150-1650mm /MP	1150-1650mm	580mm	-	550mm	152.5mm	2	4
P61103	Security Middle Lock 750-1250mm /MP	750-1250mm	530mm	-	500mm	152.5mm	2	4
P61104	Security Middle Lock 1250-1900mm /MP	1250-1900mm	530mm	-	800mm	152.5mm	2	4
P61105	Security Middle Lock 750-1450mm / 1P / 1MP	750-1450mm	480mm	-	447mm	152.5mm	2	4
P61106	Security Middle Lock 1400-1900mm / 1P / 1MP	1400-1900mm	760mm	-	730mm	152.5mm	2	4
P61107	Security Middle Lock 1900-2400mm / 1P / 1MP	1900-2400mm	1370mm	1338mm	-	152.5mm	2	4

Middle Lock With Stay Arm Fixing Assembly Applications



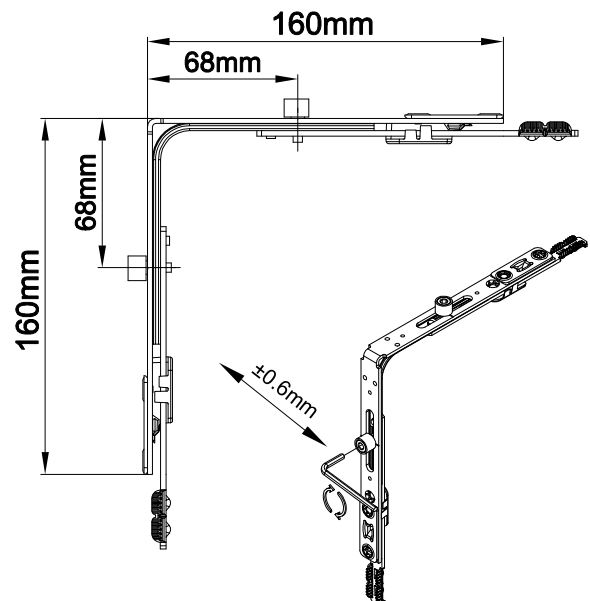
Product Code	Product Name	A(mm)	B(mm)	C(mm)	D(mm)	E(mm)		
P61109	Tilt And Turn With Roller Bottom Lock 0-750mm / 1MP	0-750mm	355mm	-	300mm	-	1	3
P61117	Tilt And Turn With Roller Bottom Lock 750-1450mm / 1MP1P	750-1450mm	497mm	-	442mm	147,5mm	2	3
P61110	Tilt And Turn With Roller Bottom Lock 750-1450mm / 2MP	750-1450mm	497mm	-	442mm	147,5mm	2	3
P61118	Tilt And Turn With Roller Bottom Lock 1400-1900mm / 1MP1P	1400-1900mm	780mm	-	725mm	147,5mm	2	4
P61111	Tilt And Turn With Roller Bottom Lock 1400-1900mm / 2MP	1400-1900mm	780mm	-	725mm	147,5mm	2	4
P61119	Tilt And Turn With Roller Bottom Lock 1900-2400mm / 1MP2P	1900-2400mm	1388mm	1333mm	755mm	147,5mm	3	8
P61112	Tilt And Turn With Roller Bottom Lock 1900-2400mm / 3MP	1900-2400mm	1853mm	1798mm	973mm	147,5mm	3	8

Tilt And Turn Corner 160x160mm With Roller



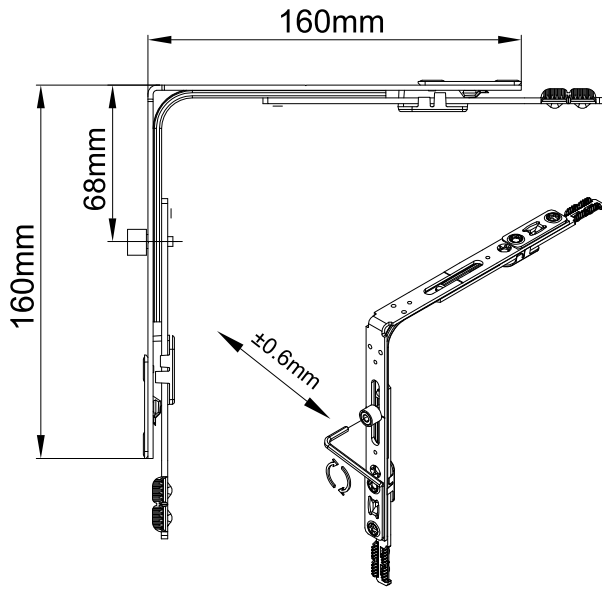
Product Code	Product Name		
P52018	Corner 160x160mm 1P/1SP	2	2
P52019	Corner 160x160mm / 2SP	2	2
P52020	Corner 160x160mm / 1SP	1	4



Tilt And Turn Corner 160x160mm / 2P



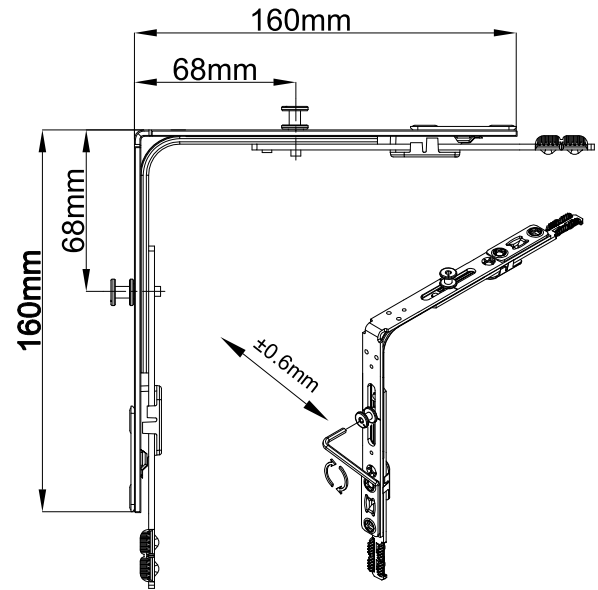
Product Code	Product Name		
P52003	Corner 160x160mm / 2P	2	4



Tilt And Turn Corner 160x160mm / 1P



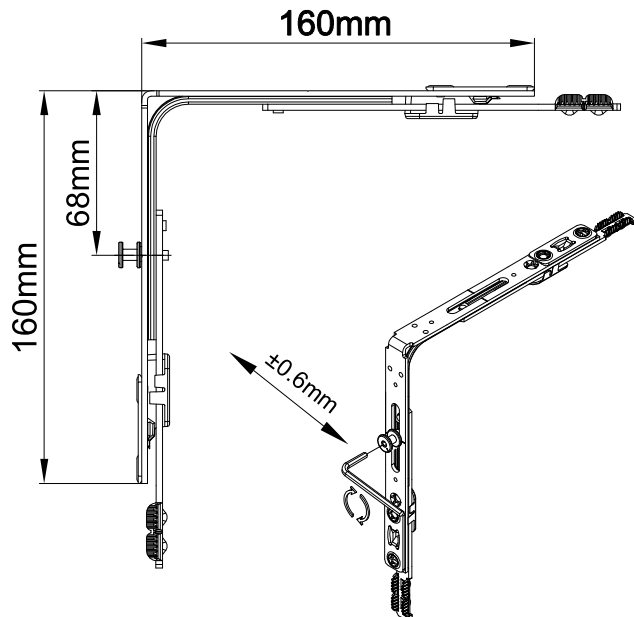
Product Code	Product Name		
P52008	Corner 160x160mm / 1P	1	4



Tilt And Turn Corner 160x160mm / 2SP



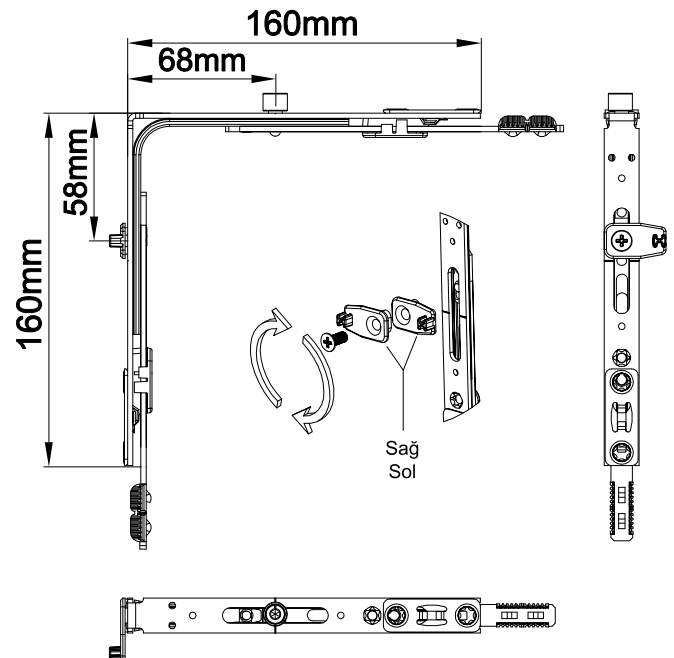
Product Code	Product Name		
P52007	Corner 160x160mm / 2SP	1	4



Tilt And Turn Corner 160x160mm / 1SP



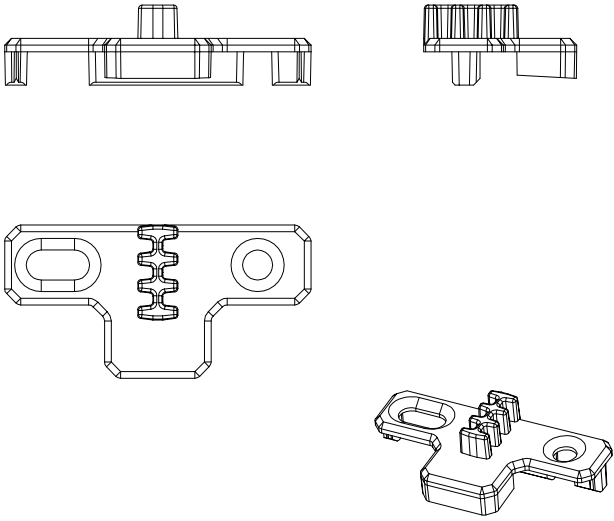
Product Code	Product Name		
P52009	Corner 160x160mm / 1SP	1	4



Microventilation Corner 160x160mm / 1P Four Stages T&T



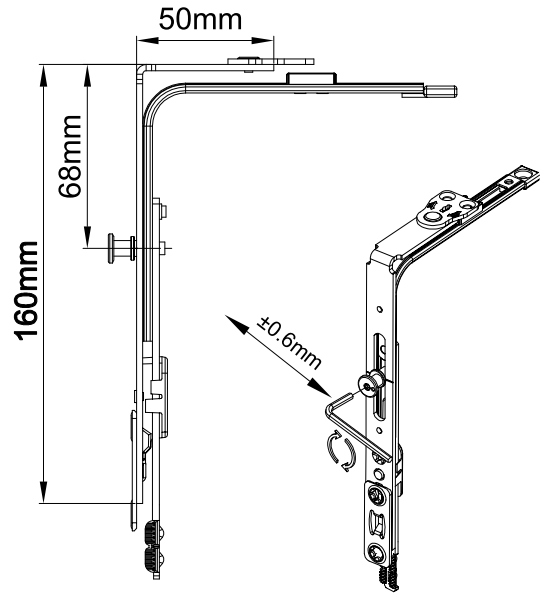
Product Code	Product Name		
P52024	Microventilation Corner 160x160 / 1P Four Stages T&T	1	4


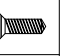
Microventilation Striker Four Stages T&T



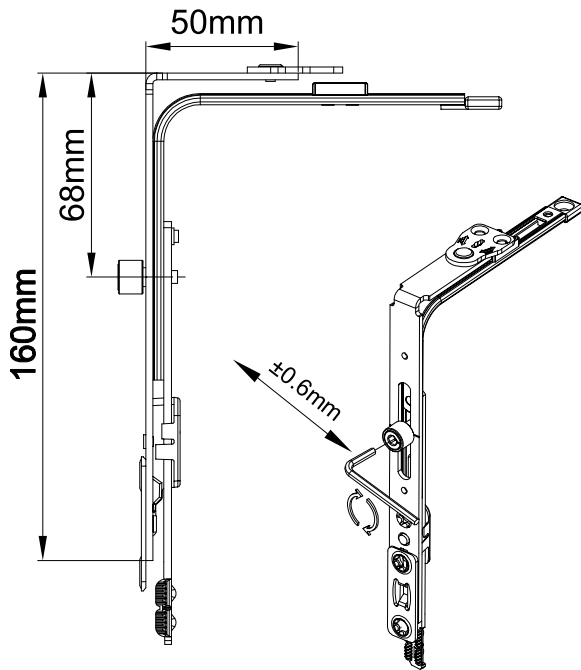
Product Code	Product Name		
P58020	Microventilation Striker Four Stages T&T	1	2



Tilt And Turn Corner 160x50mm / 1SP



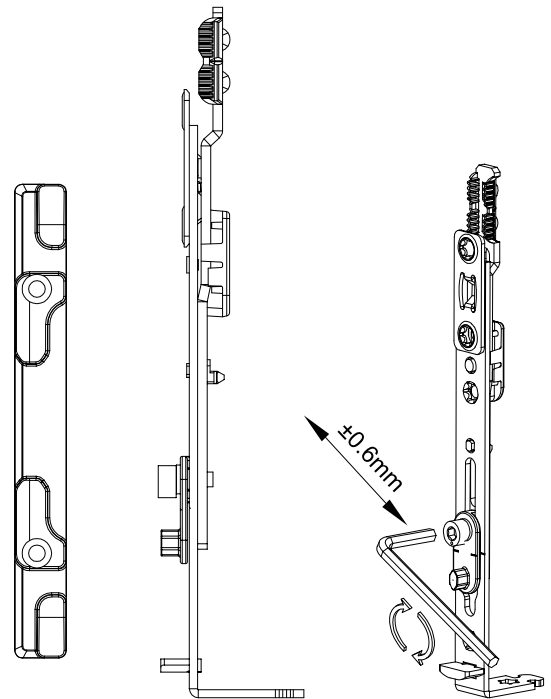
Product Code	Product Name		
P52006	Corner 160x50mm / 1SP	1	2



Tilt And Turn Corner 160x50mm / 1P



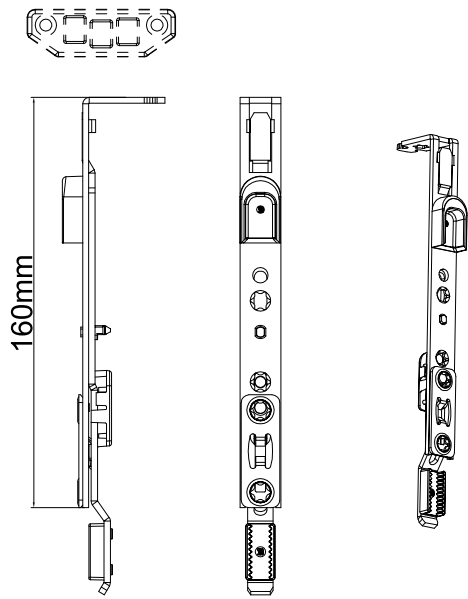
Product Code	Product Name		
P52001	Corner 160x160 / 1P	1	2


Tilt And Turn Bottom Extension Piece



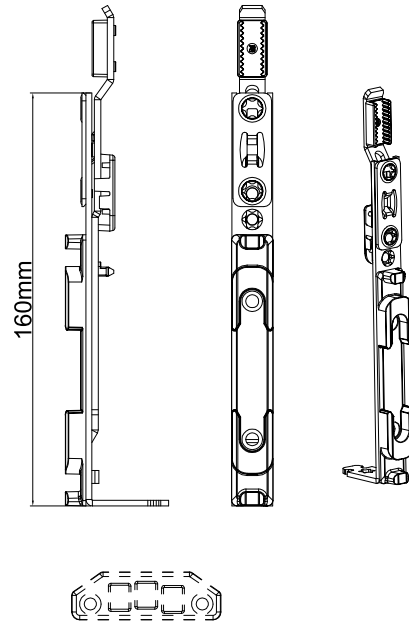
Product Code	Product Name		
P56022	Bottom Extension Piece	1	3


Turn Lock / Top



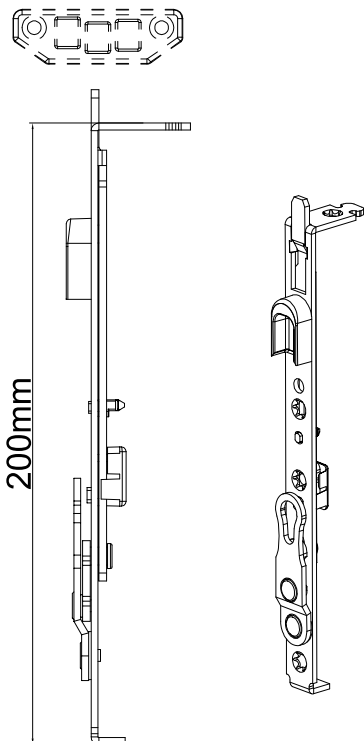
Product Code	Product Name	
P56024	Turn Lock / Top	2


Turn Lock / Bottom



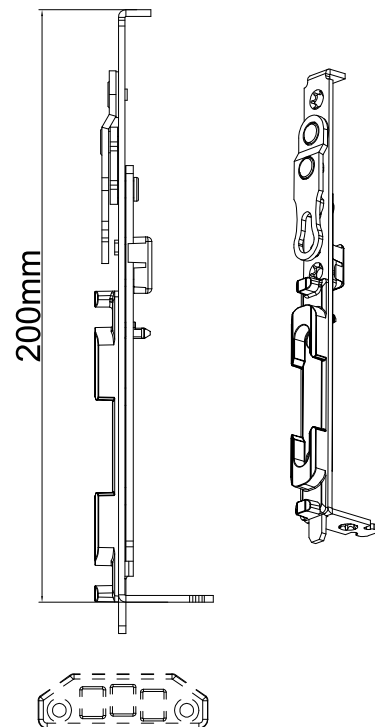
Product Code	Product Name	
P56023	Turn Lock / Bottom	2


Locking Bolt With Roller Striker / Top



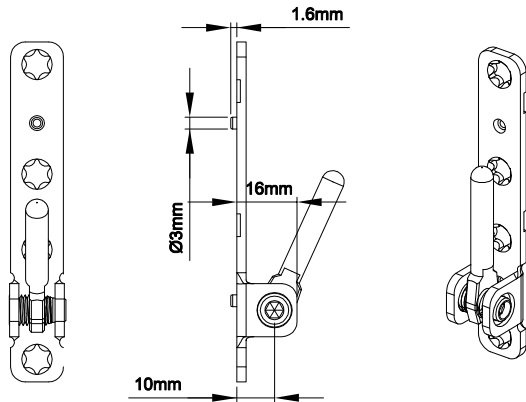
Product Code	Product Name	
P56026	Locking Bolt With Roller Striker / Top	2


Locking Bolt With Tilt Striker / Bottom



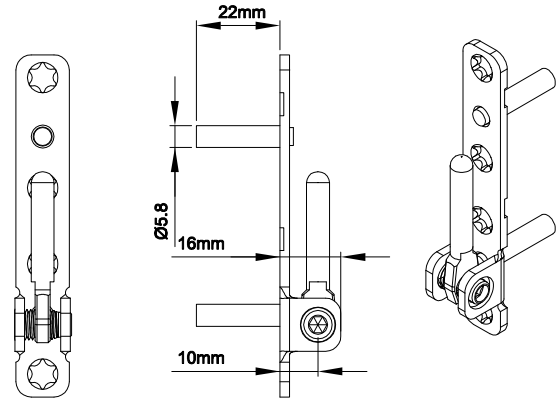
Product Code	Product Name	
P56025	Locking Bolt With Tilt Striker / Bottom	2


Tilt And Turn Frame Bottom Hinge - 100Kg



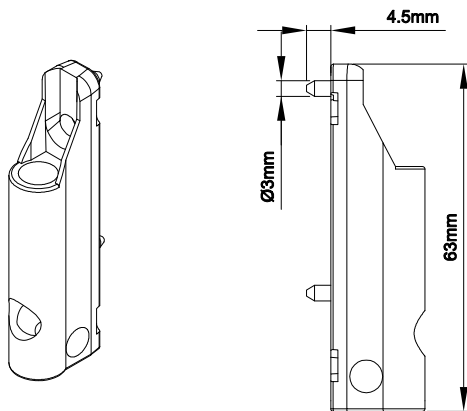
Product Code	Product Name	
P53007	Frame Bottom Hinge - 100 KG	4


Tilt And Turn Frame Bottom Hinge - 130Kg



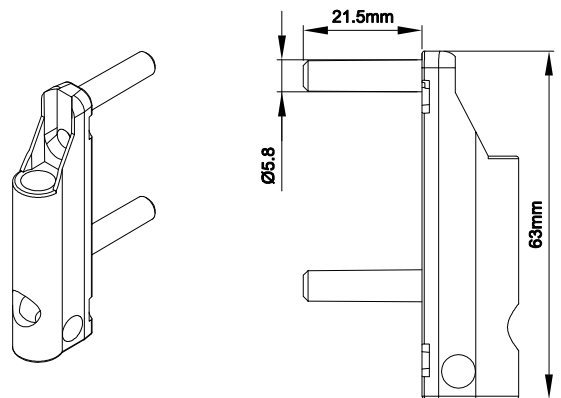
Product Code	Product Name	
P53006	Frame Bottom Hinge - 130 KG	4


Tilt And Turn Sash Bottom Hinge - 100Kg



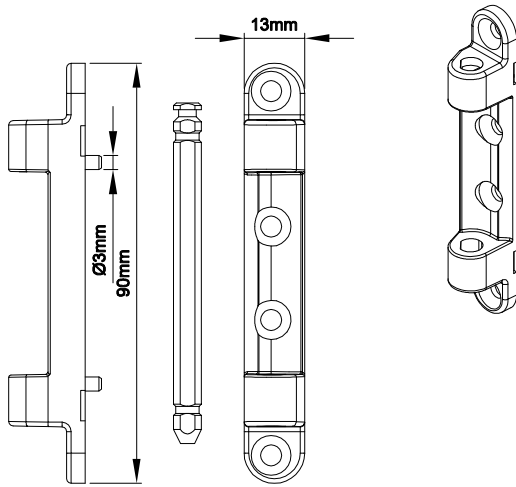
Product Code	Product Name	
P54007	Sash Bottom Hinge - 100 KG	2


Tilt And Turn Sash Bottom Hinge - 130Kg



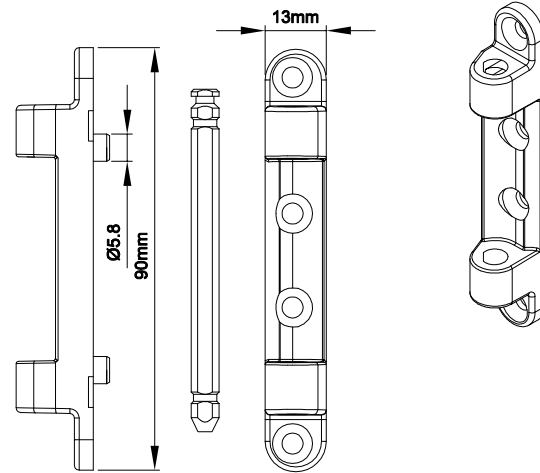
Product Code	Product Name	
P54006	Sash Bottom Hinge - 130 KG	2


Tilt And Turn Frame Top Hinge



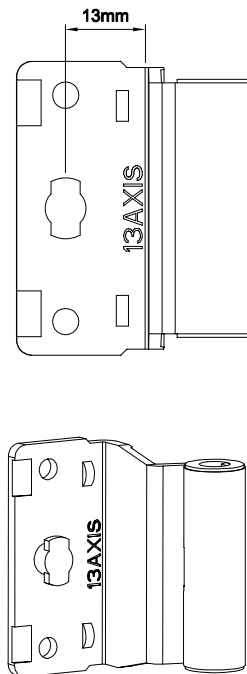
Product Code	Product Name	
P55007	Frame Top Hinge - 100 KG	4


Tilt And Turn Frame Top Hinge - 130Kg



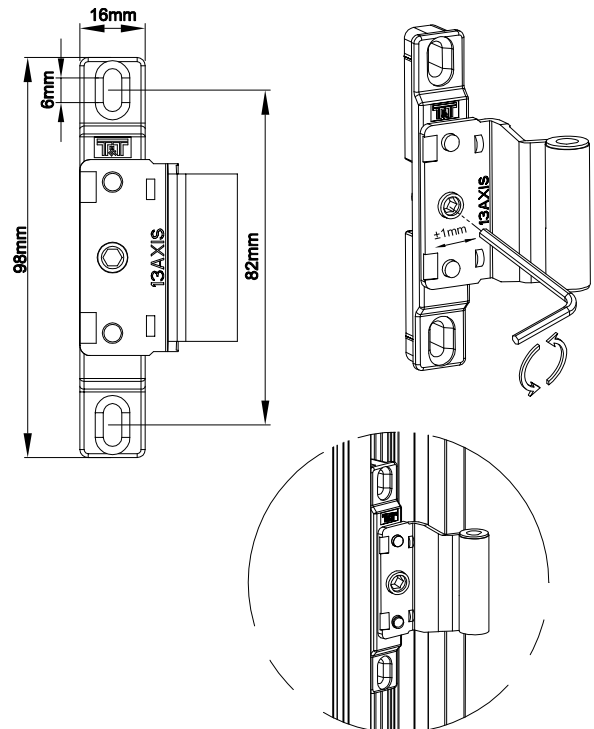
Product Code	Product Name	
P55006	Frame Top Hinge - 130 KG	4

Tilt And Turn Sash Top Hinge 13 Axis



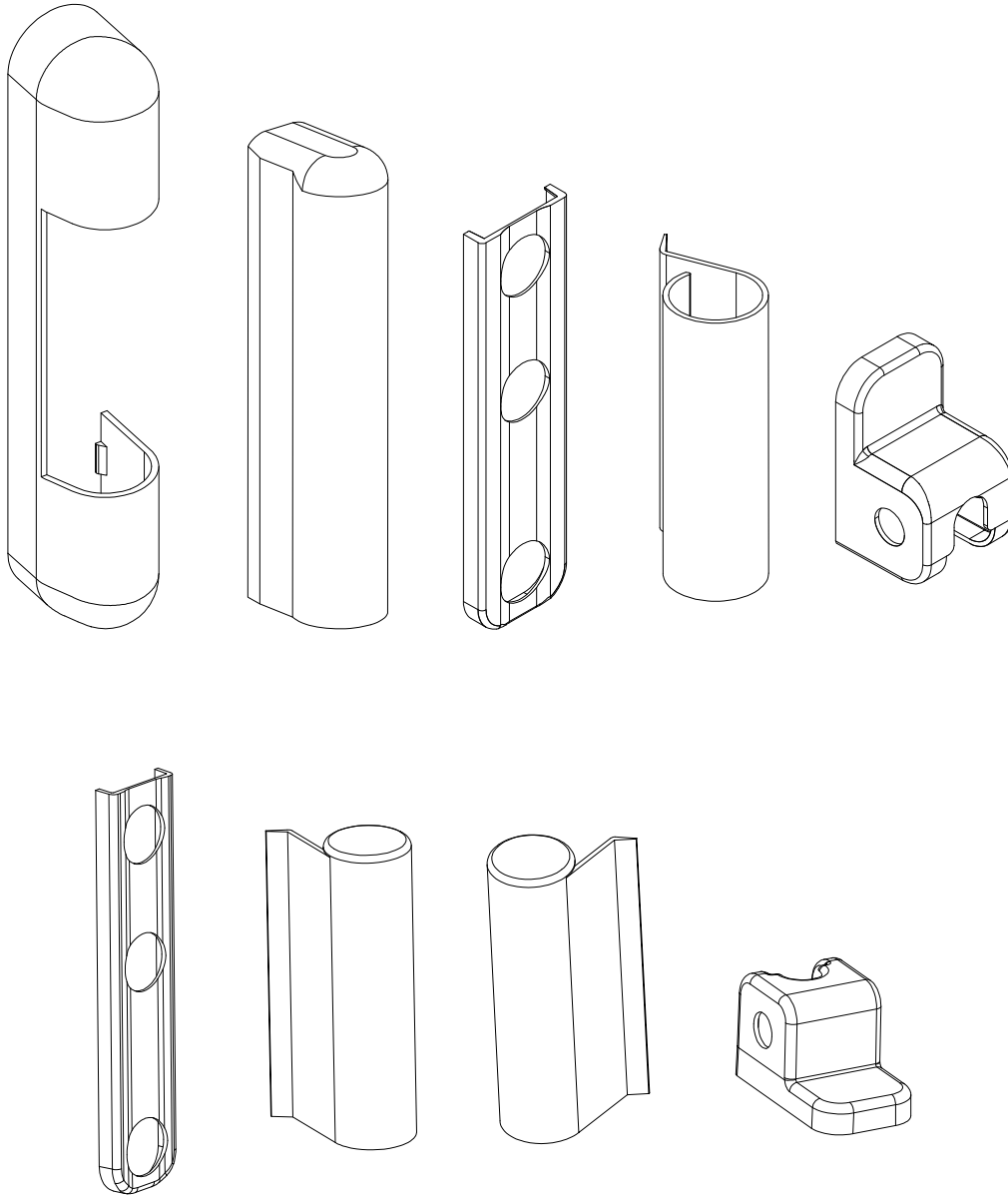
Product Code	Product Name	
P60011	Sash Top Hinge 13 Axis	2

Double Sash Centre Rotating Hinge - 130 Axis



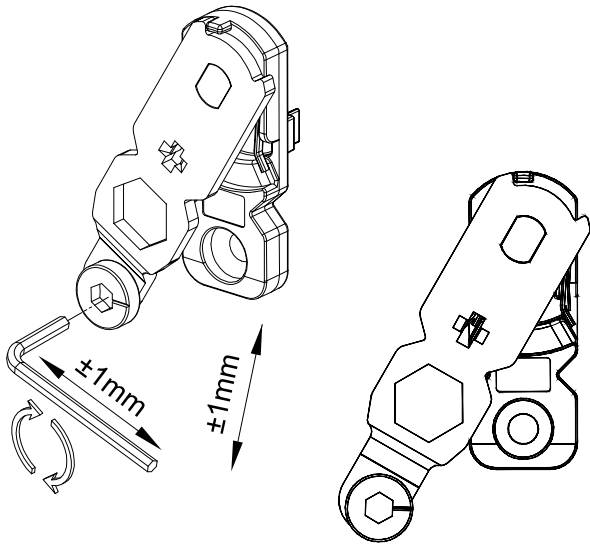
Product Code	Product Name	
P66002	Double Sash Centre Rotating Hinge 13 Axis	2

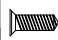
Tilt And Turn Plastic Cover Sets

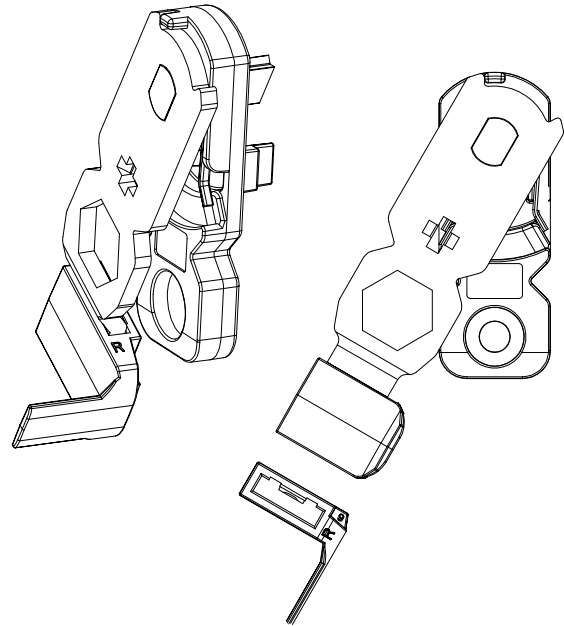



Product Code	Product Name
P57079	Corner Hinge Plastic Cover Set /Ral 9016 Right
P57080	Corner Hinge Plastic Cover Set /Ral 8019 Right
P57081	Corner Hinge Plastic Cover Set /Ral 8003 Right
P57076	Corner Hinge Plastic Cover Set /Ral 9016 Left
P57077	Corner Hinge Plastic Cover Set /Ral 8019 Left
P57078	Corner Hinge Plastic Cover Set /Ral 8003 Left
P57043	Plastic Cover Set Ral 9016
P57044	Plastic Cover Set Ral 8019
P57045	Plastic Cover Set Ral 8003

Tilt And Turn Fault Usage

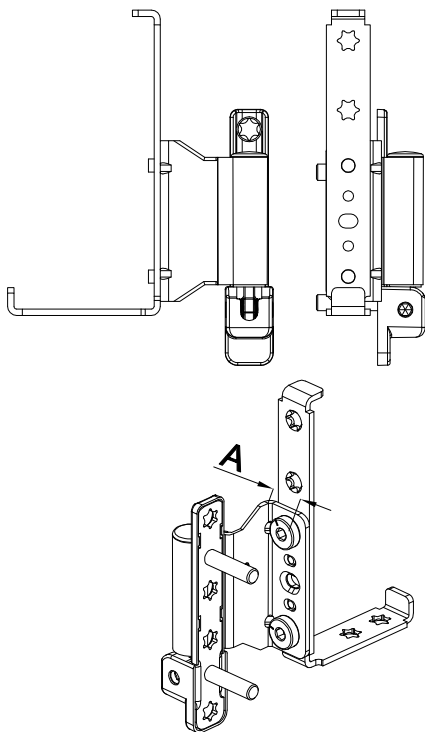


Product Code	Product Name	
P58031	Fault Usage Roller	1

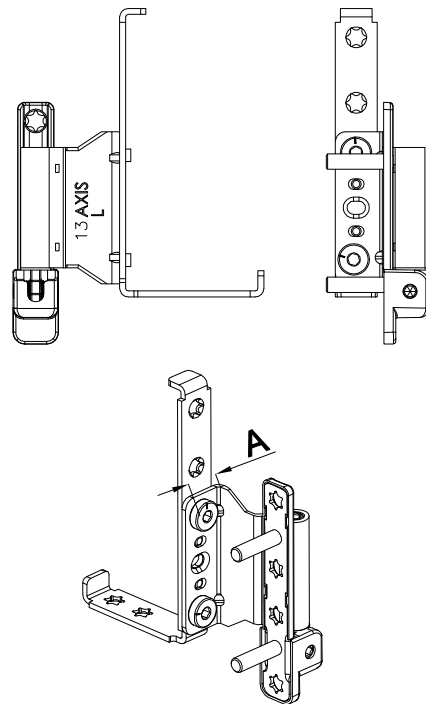


Product Code	Product Name	
P58042	Fault Usage Roller	1

Tilt And Turn Corner Hinge

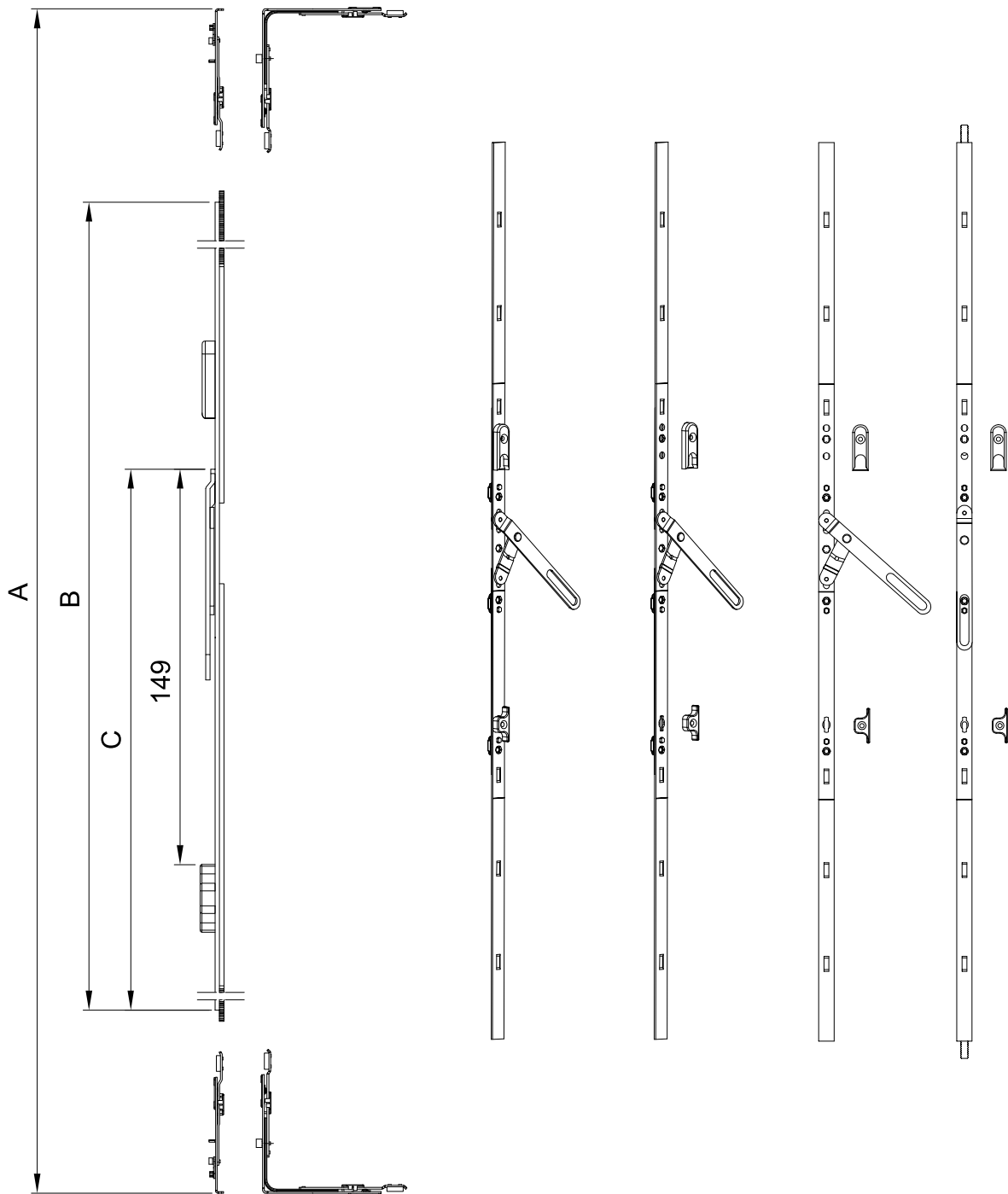




Product Code	Product Name	A
P53023	Corner Hinge 13 Axis Right	13mm



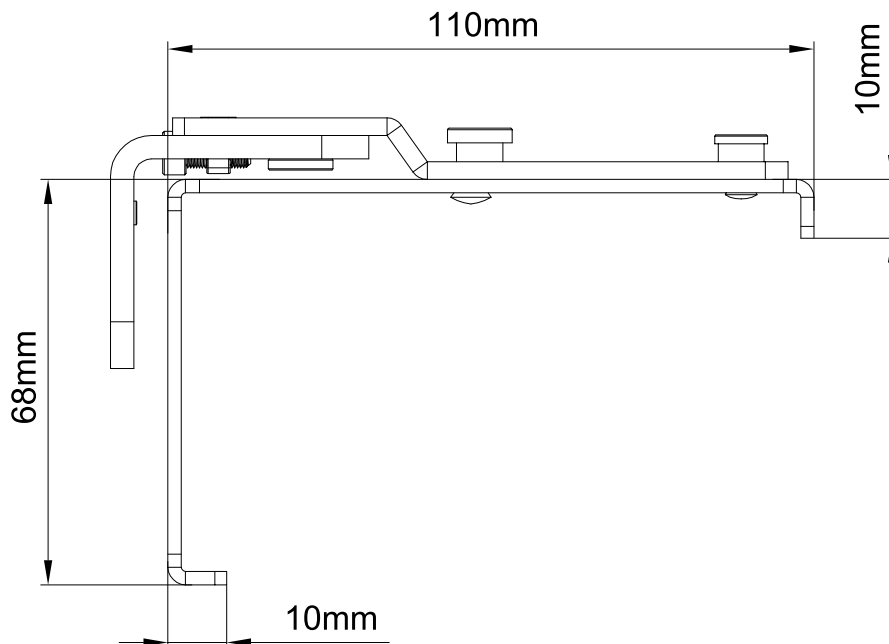
Product Code	Product Name	A
P53024	Corner Hinge 13 Axis Left	13mm


Double Sash Espagnolettes



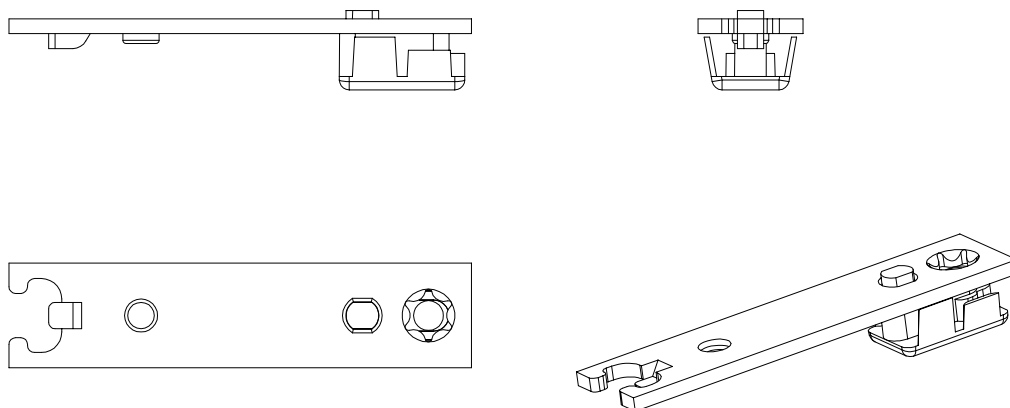
Product Code	Product Name	A(mm)	B(mm)	C(mm)		
P65013	Double Sash Espagnolette 580-750mm	580 - 750mm	430mm	260mm	-	3
P65017	Double Sash Espagnolette 750-1250mm	750-1250mm	930mm	554mm	1	5
P65018	Double Sash Espagnolette 950-1450mm	950-1450mm	1130mm	407mm	1	6
P65019	Double Sash Espagnolette 1400-1900mm	1400-1900mm	1580mm	407mm	2	8
P65020	Double Sash Espagnolette 1900-2400mm	1900-2400mm	2080mm	407mm	2	8


Double Sash Passive Hinge



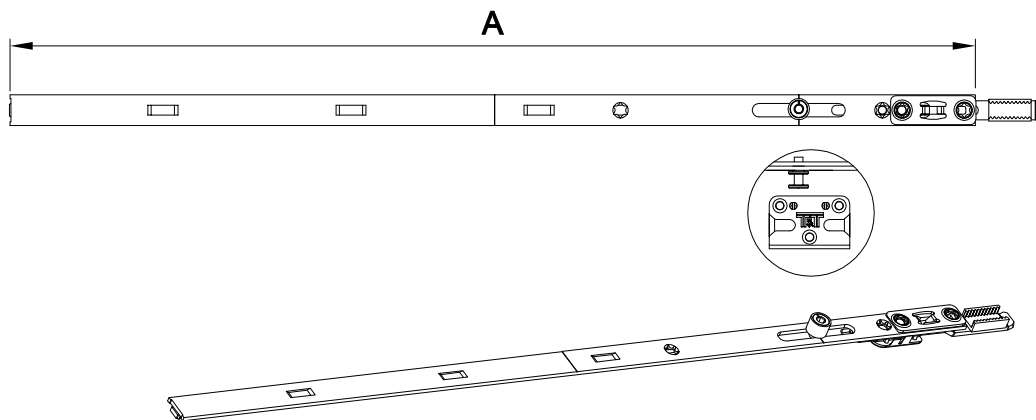
Product Code	Product Name	
P66020	Double Sash Passive Hinge	3


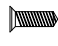
Fixing Plate



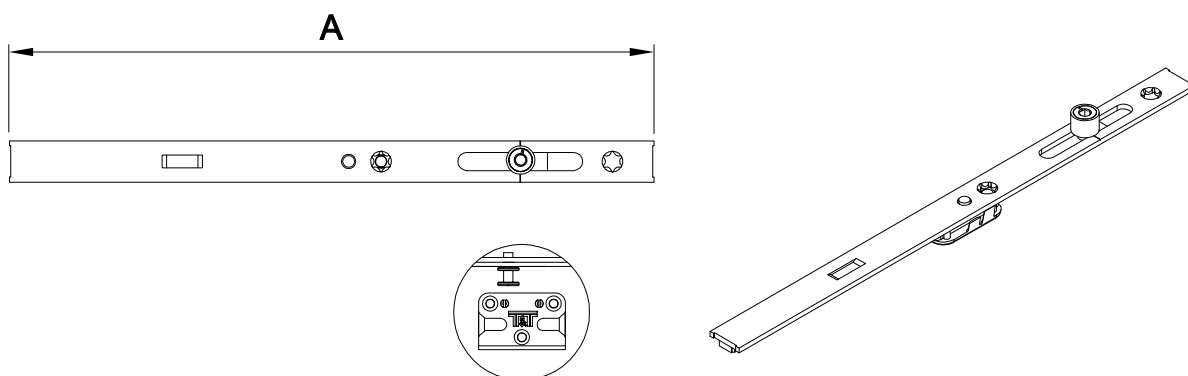
Product Code	Product Name	
P61009	Fixing Plate	1


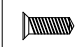
Tilt And Turn Extension Pieces



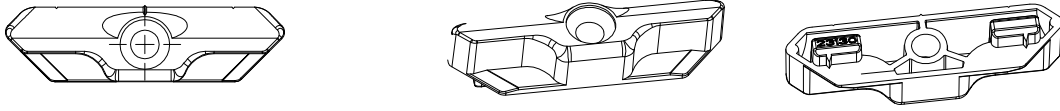
Product Code	Product Name	A(mm)		
P61054	Extention Piece 120-250mm	120-250mm	-	1
P61023	Extention Piece 120-250mm 1P	150-250mm	1	1
P61022	Extention Piece 250-500mm 1P	250-500mm	1	2
P61053	Extention Piece 250-500mm	250-500mm	-	2


Tilt And Turn Supplementary Locking Mechanisms

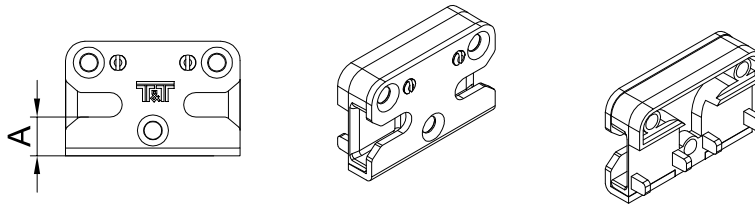



Product Code	Product Name	A(mm)		
P61003	Supplementary Locking Mechanism 250mm MP	250mm	1	2
P61004	Supplementary Locking Mechanism 500mm MP	500mm	1	3
P61048	Supplementary Locking Mechanism 250mm 1P	250mm	1	2
P61049	Supplementary Locking Mechanism 500mm 1P	500mm	1	3

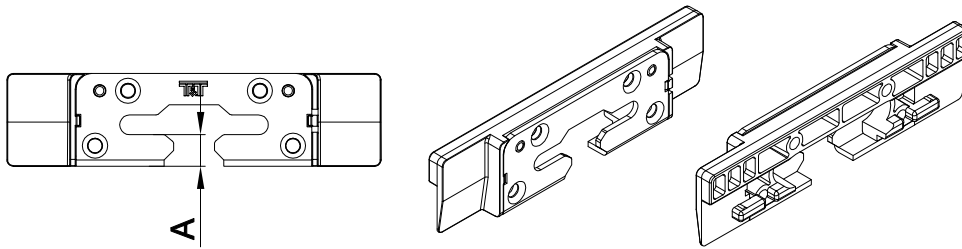
Tilt And Turn Pin Strikers




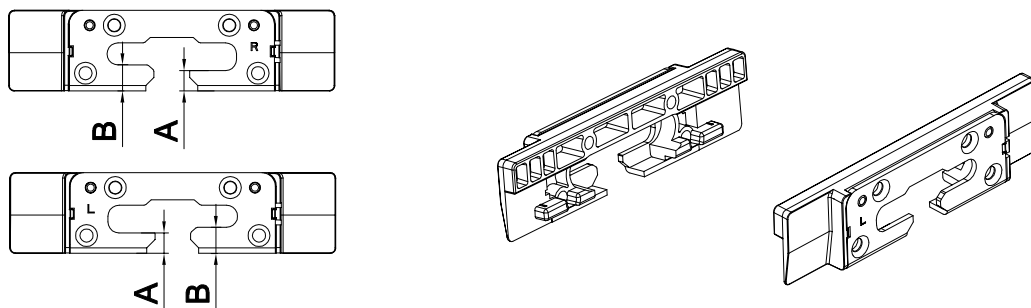
Product Code	Product Name	
P23130	23130/13 Axis Pin Striker	1




Product Code	Product Name		A
P58037	58037/ Security Striker 13 Axis	3	10mm

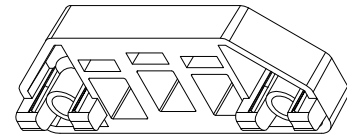
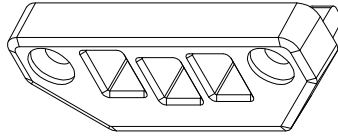
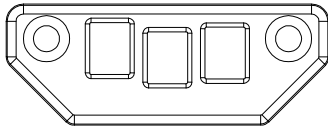



Product Code	Product Name		A
P58040	58040/ Security Bottom Strikers 13 Axis	4	10mm



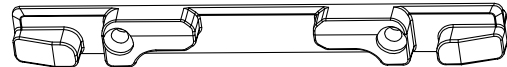
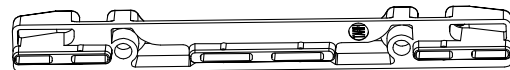
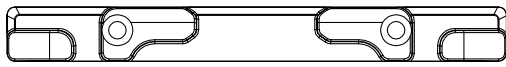
Product Code	Product Name		B	A
P58075	58041/ Security Bottom Strikers Right 13 Axis	4	10mm	7.5mm
P58076	58041/ Security Bottom Strikers Left 13 Axis	4	10mm	7.5mm


Double Sash Corner Lock Strikers



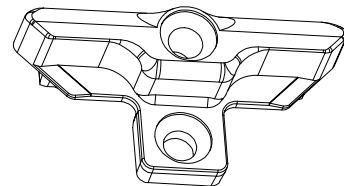
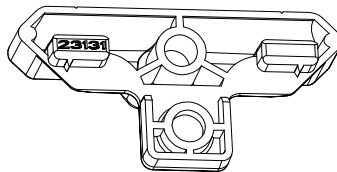
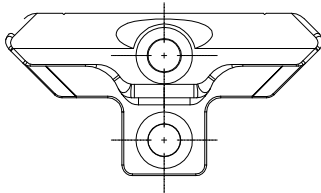
Product Code	Product Name	
P67002	Corner Lock Striker 13 Axis	2


Tilt And Turn Pivot Striker



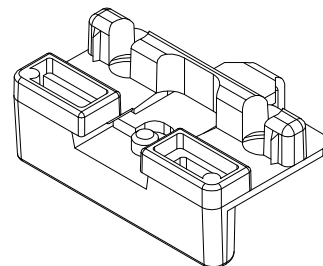
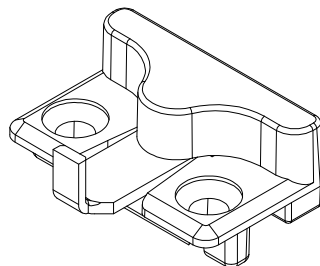
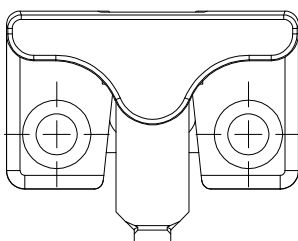
Product Code	Product Name	
P58059	Universal Pivot Striker 13 Axis	2


13 Axis Pin Striker



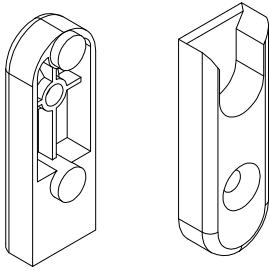
Product Code	Product Name	
P23131	23131/13 Axis Pin Striker	2


Micro-ventilation Strikers



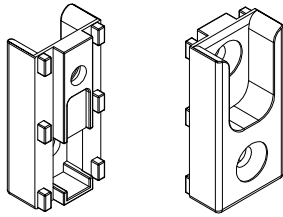
Product Code	Product Name	
P58014	Micro-ventilation Striker 13 Axis	2



Double Sash Espagnolette Striker



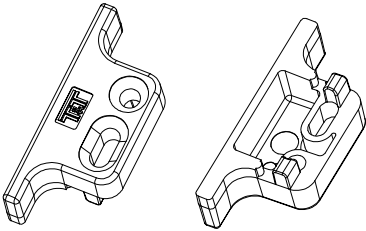
Product Code	Product Name	
P67004	Double Sash Espagnolette Striker	1


Double Sash Roller Striker



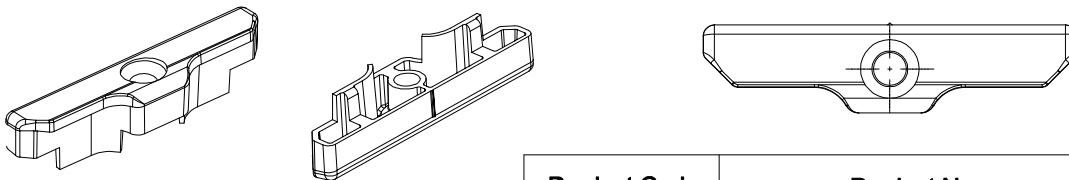
Product Code	Product Name	
P23018	Double Sash Striker	

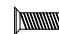
Tilt And Turn Fault Usage Strikers



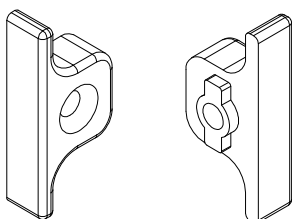
Product Code	Product Name	
P58004	Fault Usage Striker 13 Axis	2


Security 13 Axis Pin Striker



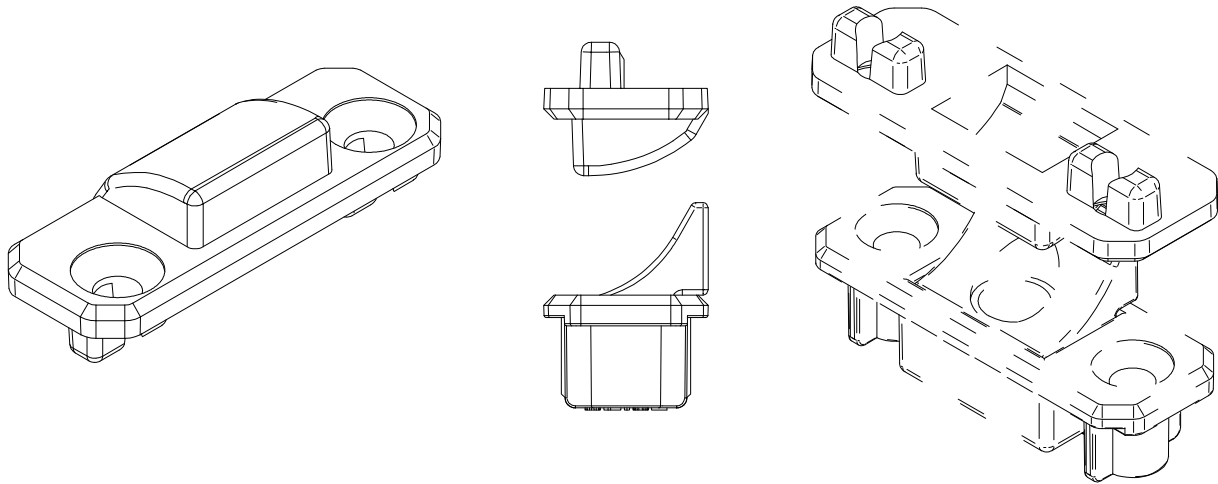
Product Code	Product Name	
P23158	Security 13 Axis Pin Striker	2


Double Sash Fault Usage Striker



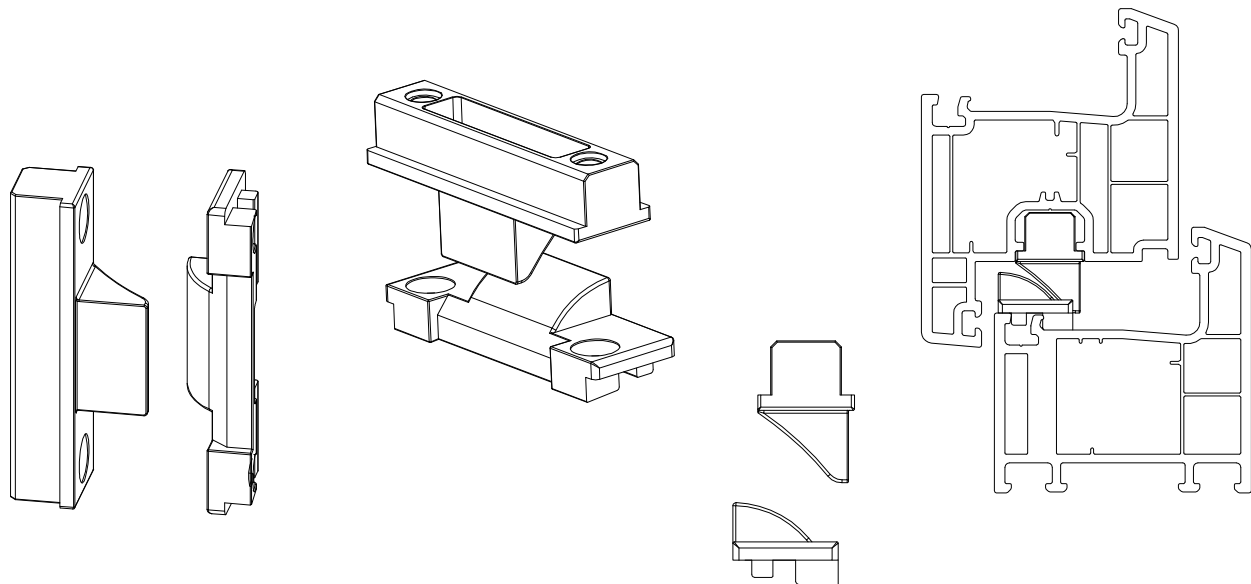
Product Code	Product Name	
P67003	Double Sash Fault Usage Striker	1

Inner Centre Rotating Zamak Hinges



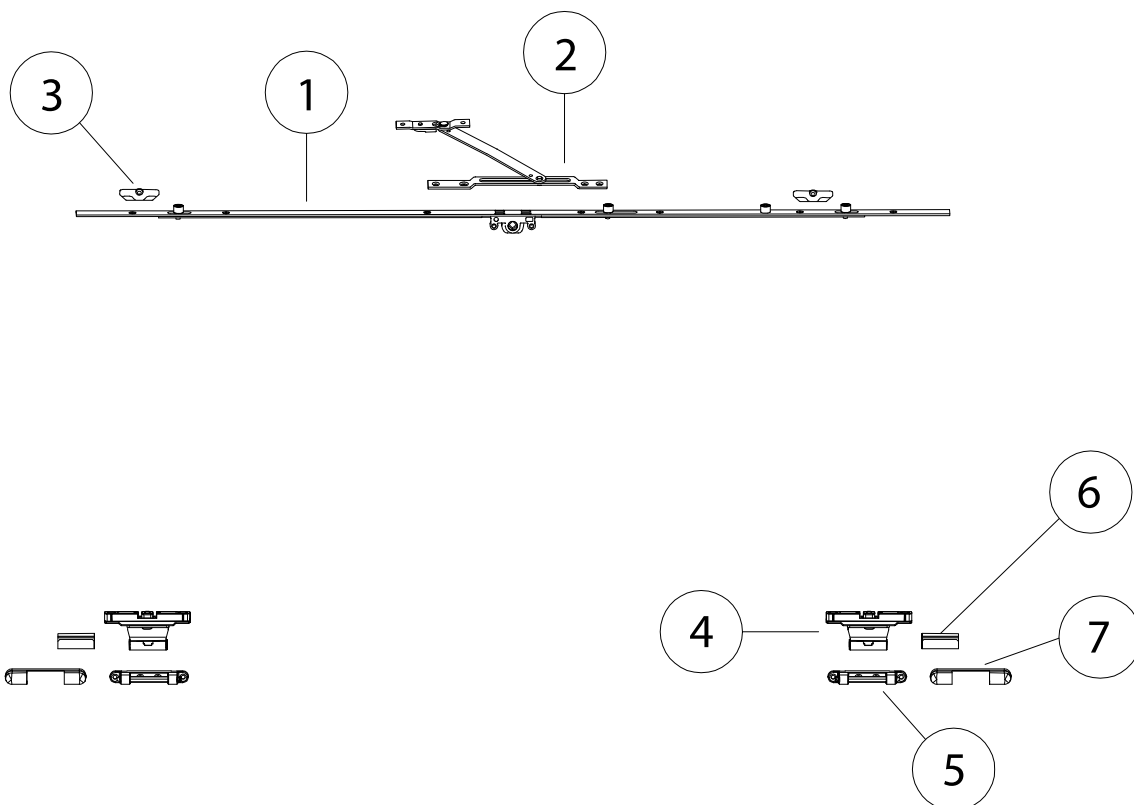
Product Code	Product Name	
P23082	Inner Center Rotating Zamak Hinge 13 Axis	4

Assembly Application Of Inner Centre Rotating Hinge



Product Code	Product Name	
P57018	Double Sash Inner Centre Rotating Hinge 13 Axis	4

Tilt Arm Applications



1	Basic Espagnolettes	
6.1	Basic Espagnolette 15 axis 600mm T&T	P27034
6.2	Basic Espagnolette 15 axis 800mm T&T	P27035
6.3	Basic Espagnolette 15 axis 900mm T&T	P27042
6.4	Basic Espagnolette 15 axis 1000mm T&T	P27036
6.5	Basic Espagnolette 15 axis 1100mm T&T	P27043
6.6	Basic Espagnolette 15 axis 1200mm T&T	P27037
2	Tilt Arm	P22116
3	Pin Strikers	(Check The Strikers List.) P23130
4	Center Rotating Hinges	P66002
5	Frame Top Hinges	(Check Tilt And Turn Components) P55007
6	Sash top hinge Cover Caps	(Check Tilt And Turn Components) P57002
7	Frame top hinge Cover Caps	(Check Tilt And Turn Components) P57008

On The Espagnolette Applications, The Sash Width Should Be min. 600mm-Max 1200mm , Max 80kg