

## ***POLYURETHANE FOAM SEALS***

Foam pile is an innovative sealing solution. It offers the highest standard of sealing even under extreme conditions. It has an excellent compression recovery of 99%. It gives constant height at corners for improved sealing and it provides low operating forces on gearing which in turn ensures ease of operation for the user.

It is made with a special combination of materials.

- A. The outside cover is from Polyethylene (PE) film that offers water and UV protection.
- B. The foam core is Polyurethane (PU) which offers high durability and supreme recovery performance.
- C. The polypropylene PP base prevents the elongation and the shrinkage.

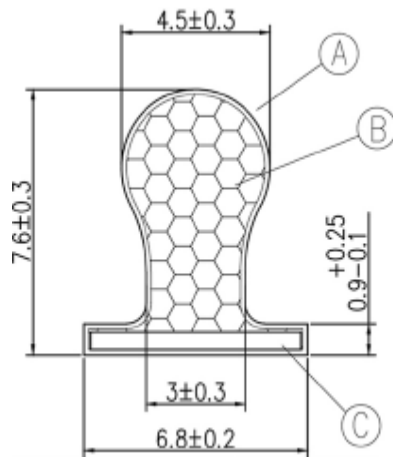
It is available in various shapes, sizes and colors.

It can be applied in aluminum or timber profiles of windows, entry doors, internal doors or furniture. The FP foam seals combine excellent thermal and soundproofing performance across a wide temperature range. Very low operating forces reduce wear and tear offering easiness in operation.

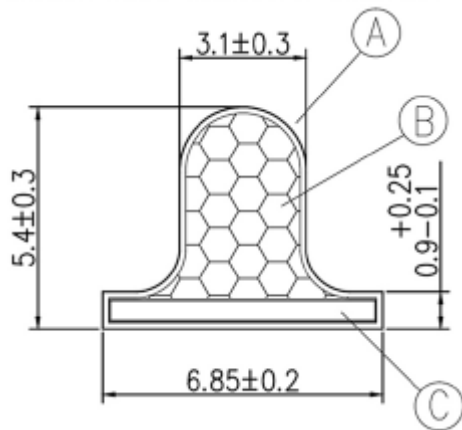


## SERIES 10: SLIDING OPERATION

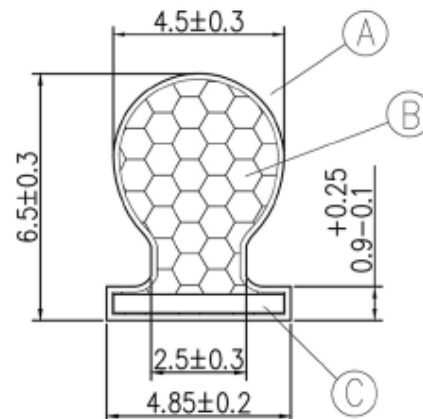
**FP: 10-01**



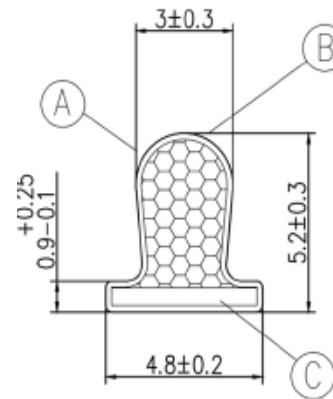
**FP: 10-03**



**FP: 10-02**



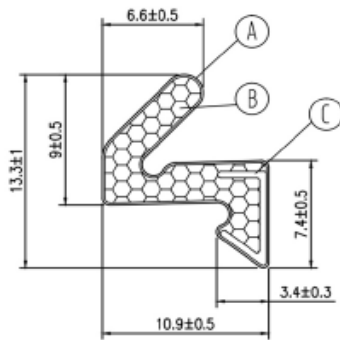
**FP: 10-04**



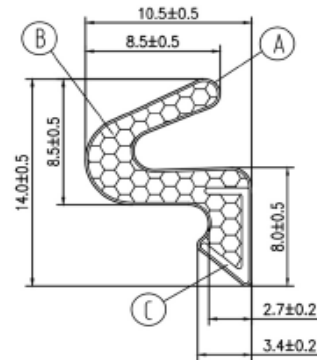
Type	Seal Material	Seal Operation	Seal Application	Seal Fitting Type	Colors	Packing details
FP 10	Aluminium, PVC	Hinged, Sliding	Windows, Window Covering Products	T-slot	black,brown , grey,white,beige	Differs depending on the type.

## SERIES 20, 30, 40, 50: KERF SERIES

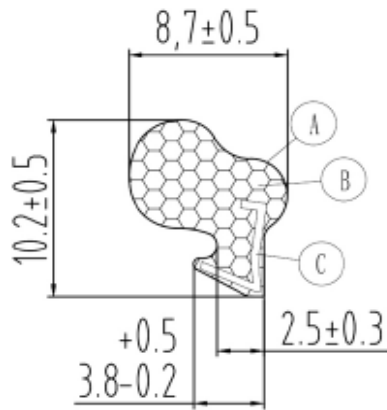
**FP: 20-01**



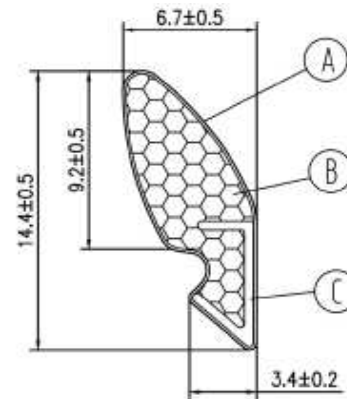
**FP: 20-02**



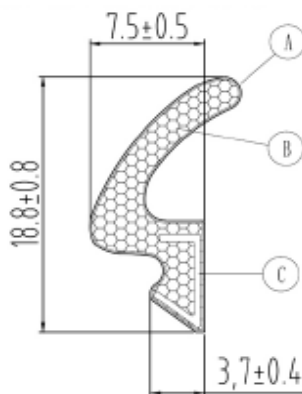
**FP: 20-03**



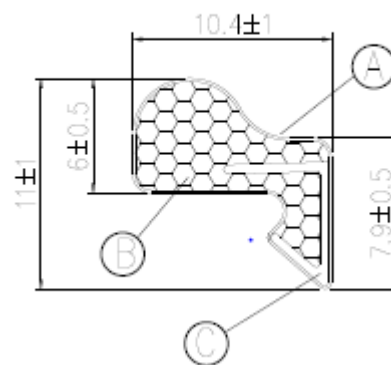
**FP: 20-04**



**FP: 20-05**

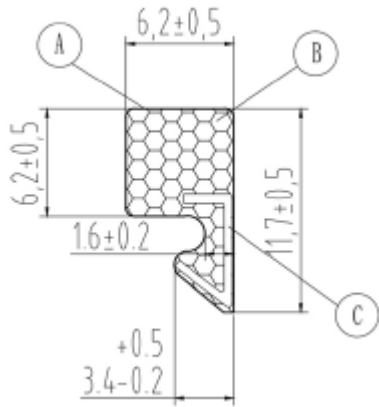


**FP: 20-06**

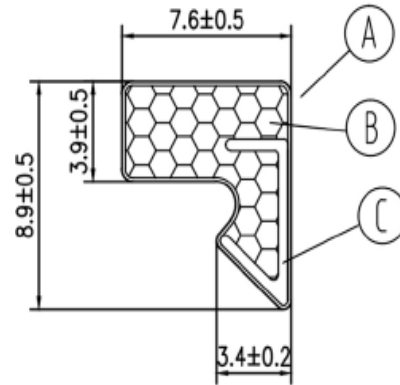


Type	Seal Material	Seal Operation	Seal Application	Seal Fitting Type	Colors	Packing details
FP20	Timber	Hinged, Sliding	Windows, entry doors, Furniture	Kerf Slot	black, brown, grey, white, beige	Differs depending on the type.

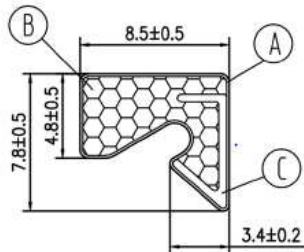
**FP: 30-01**



**FP: 30-02**

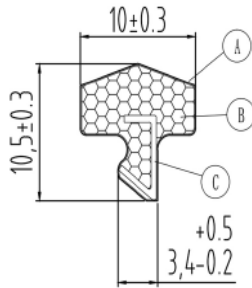


**FP: 30-03**

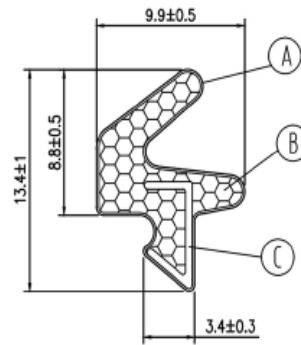


Type	Seal Material	Seal Operation	Seal Application	Seal Fitting Type	Colors	Packing details
FP30	Timber	Hinged, Sliding	Windows, Furniture	Kerf Slot	black,brown , grey,white,beige	Differs depending on the type.

**FP: 40-01**

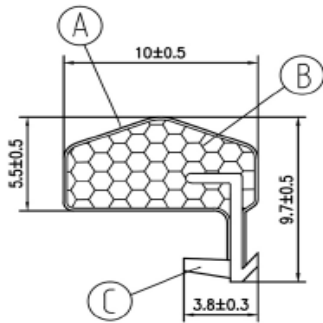


**FP: 40-02**

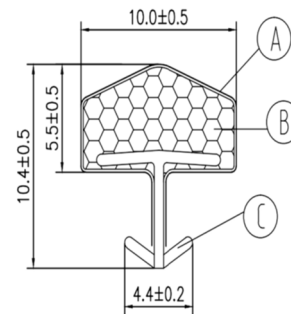


Type	Seal Material	Seal Operation	Seal Application	Seal Fitting Type	Colors	Packing details
FP40	Timber	Hinged	Internal Doors, Furniture	Kerf Slot	black,brown , grey,white,beige	Differs depending on the type.

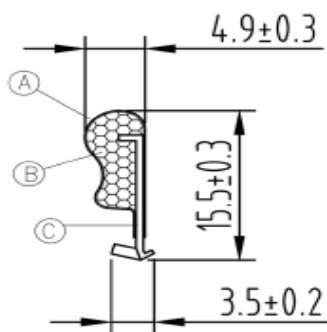
**FP: 50-01**



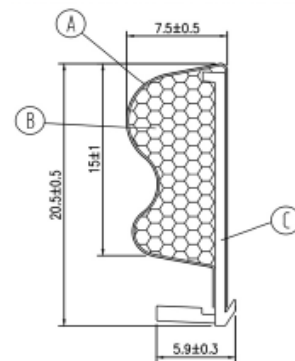
**FP: 50-02**



**FP: 50-03**



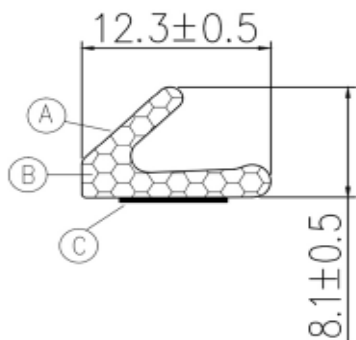
**FP: 50-04**



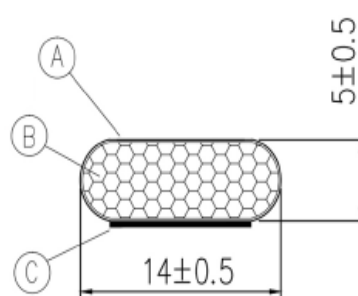
Type	Seal Material	Seal Operation	Seal Application	Seal Fitting Type	Colors	Packing details
FP50	Timber	Hinged	Internal Doors, Furniture, Windows	Kerf Slot	black,brown , grey,white,beige	Differs depending on the type.

## SERIES 60: ADHENSIVE OPERATION

**FP: 60-01**



**FP: 60-02**



Type	Seal Material	Seal Operation	Seal Application	Seal Fitting Type	Colors	Packing details
FP60-adhesive	Aluminium, PVC, Timber	Hinged, Sliding	Windows, Window Covering Products, Entry Doors, Internal Doors, Furniture, Universal	Universal	black, brown, grey, white, beige	Differs depending on the type.

