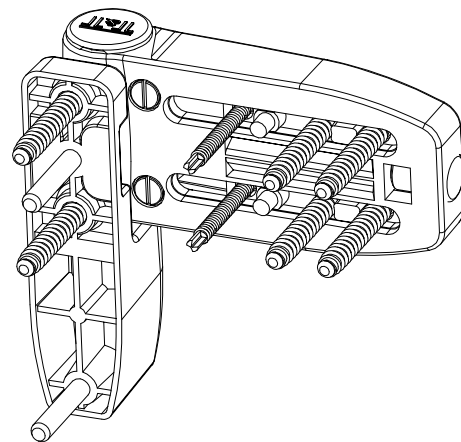
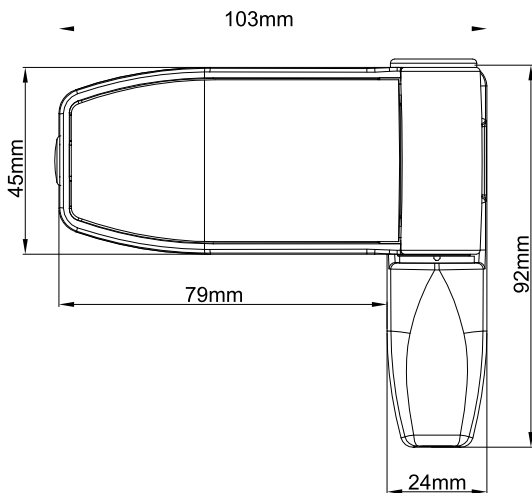
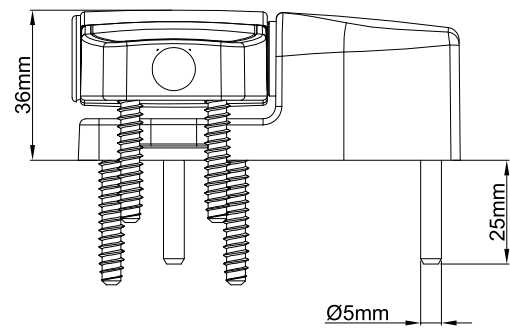
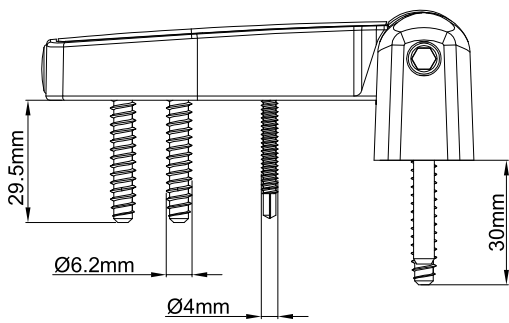
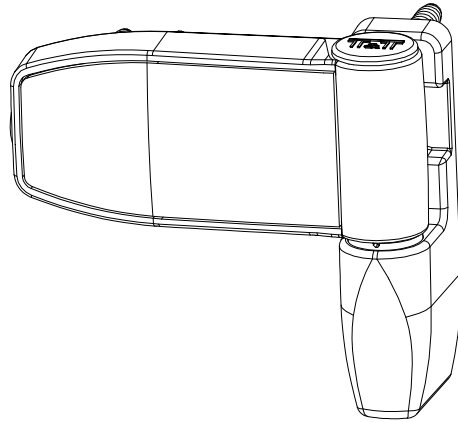
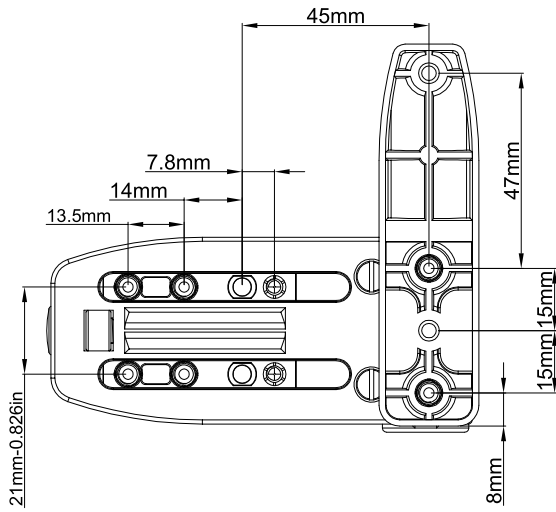


Accessories



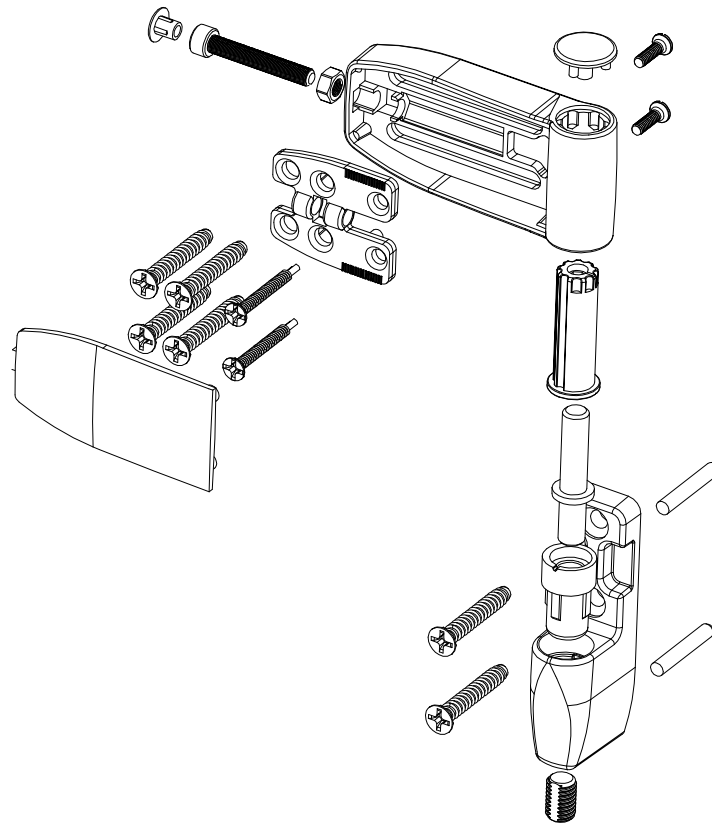
www.tandt.com.tr

3D Adjustable Door Hinge

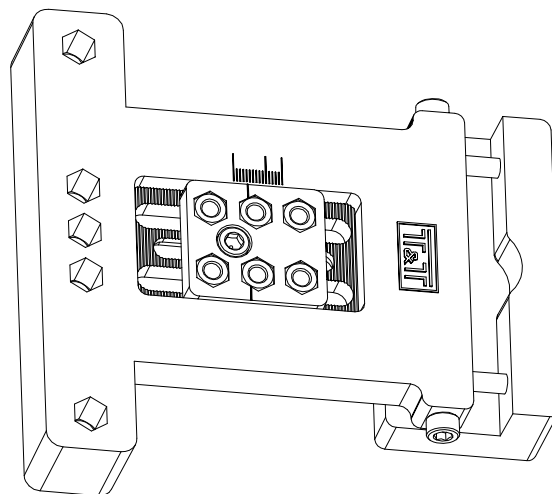


Product Code			Product Name
Ral 9016	Ral 8019	Ral 8003	
P21053	P21054	P21055	3D Adjustable Door Hinge

3D Adjustable Door Hinge

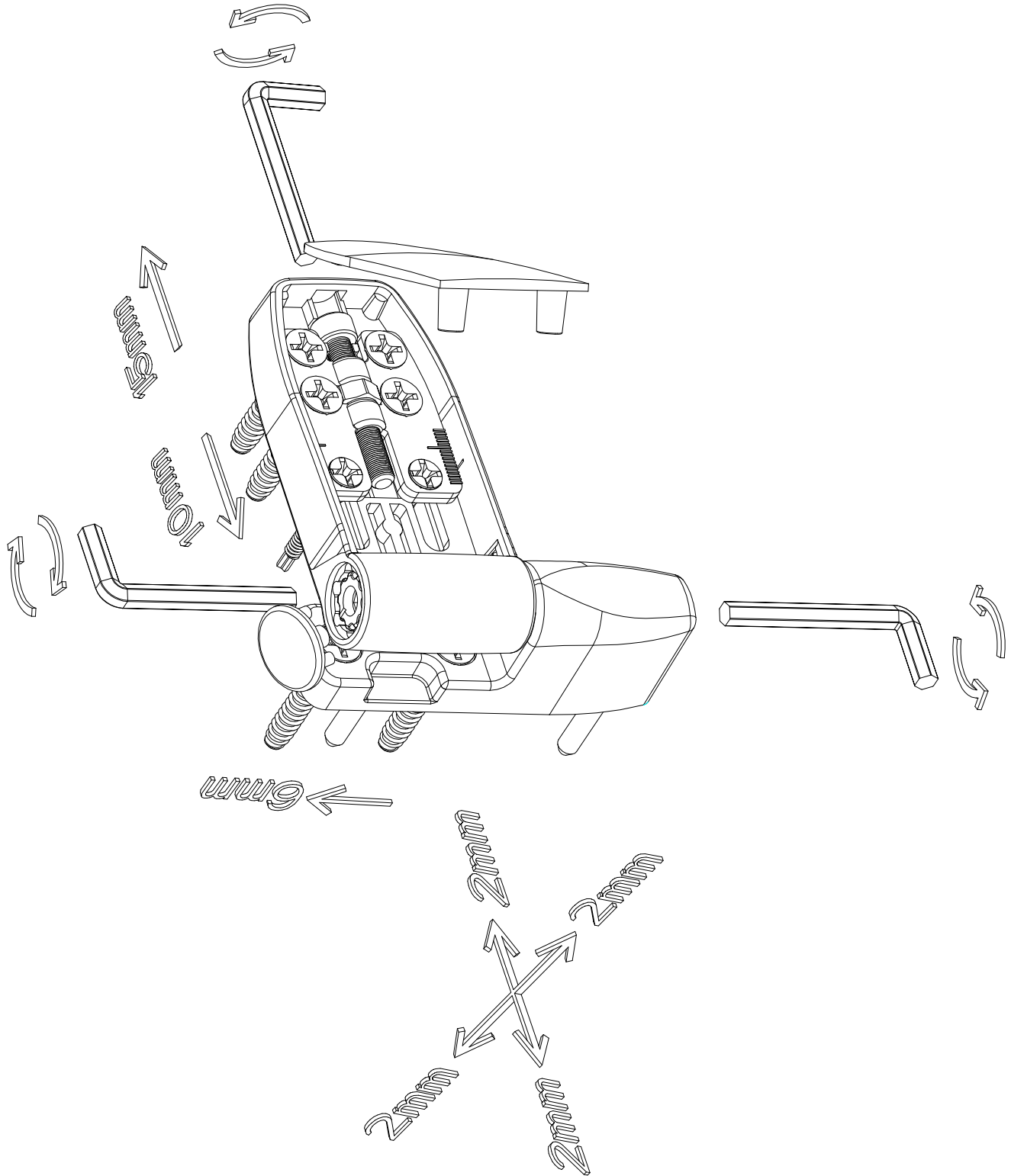


Assembly Aparatus For 3D Adjustable Door Hinge

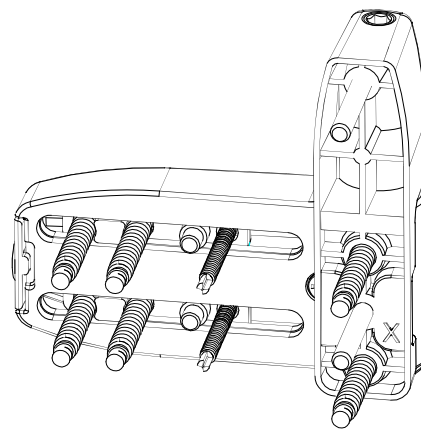
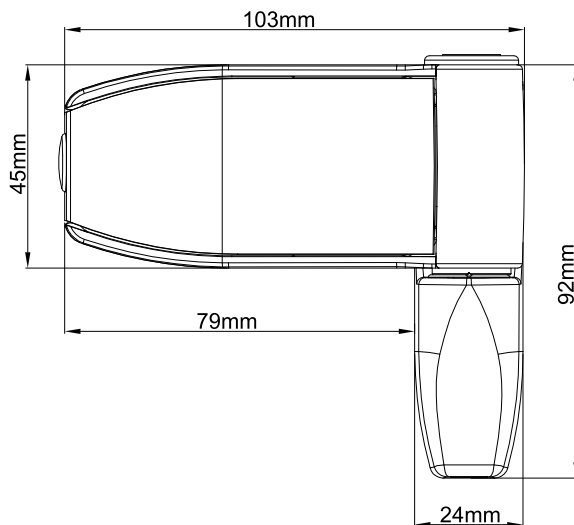
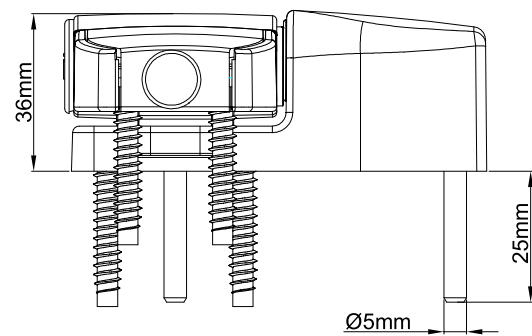
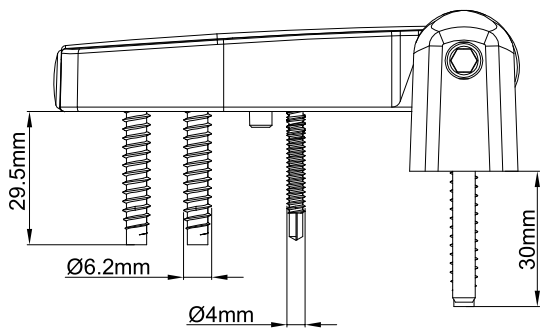
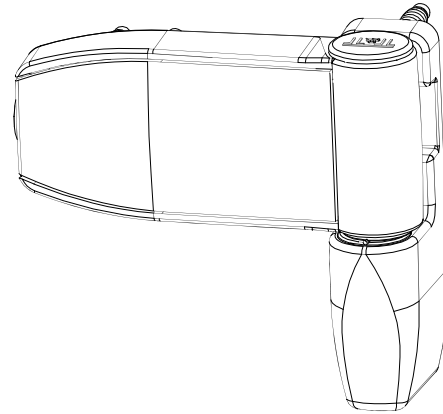
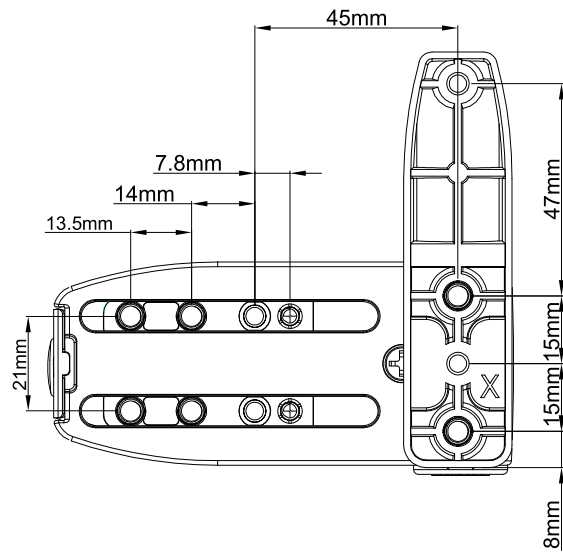


Product Code	Product Name
P21059	Asseby Aparatus For 3D Adjustable Door Hinge

Setting Applications Of 3D Adjustable Door Hinge

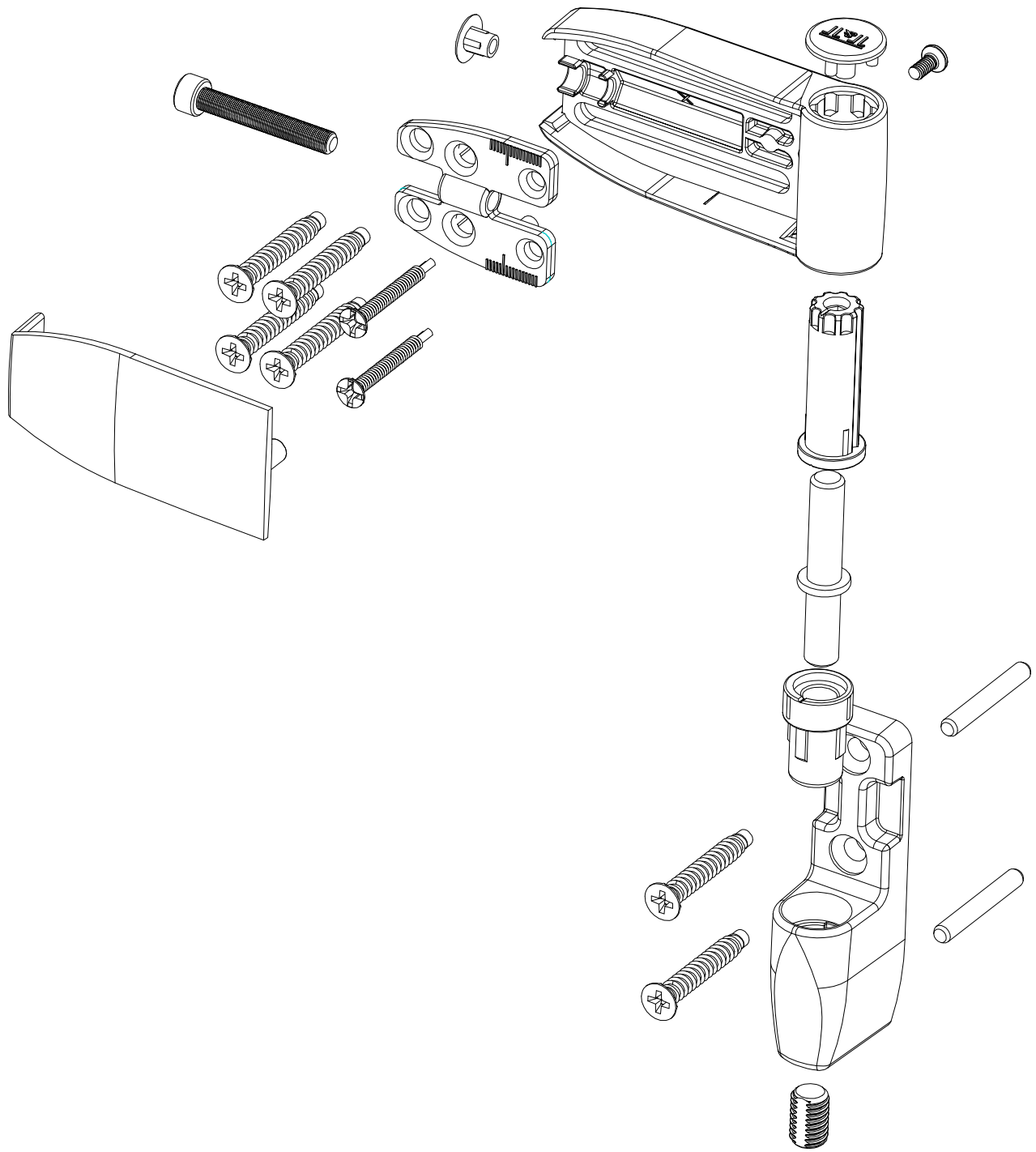


3D Adjustable Door Hinge Aluminum



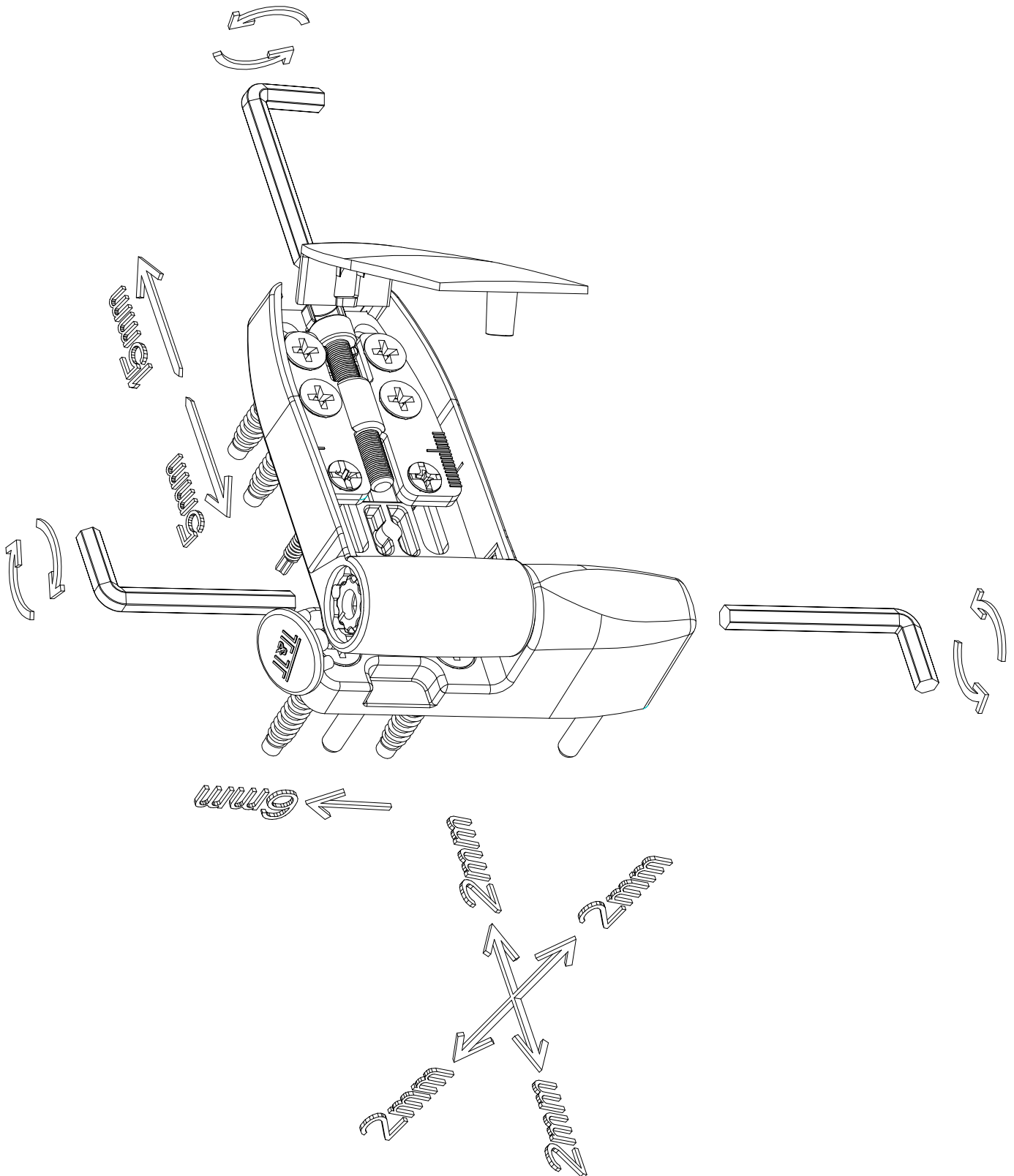
Product Code			Product Name
Ral 9016	Ral 8019	Ral 8003	
P21216	P21217	P21218	3D Adjustable Door Hinge Aluminum

3D Adjustable Door Hinge Aluminum

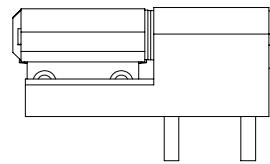
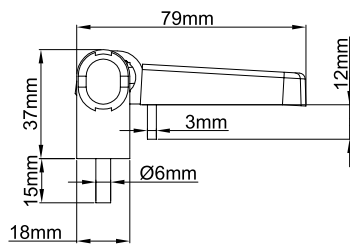
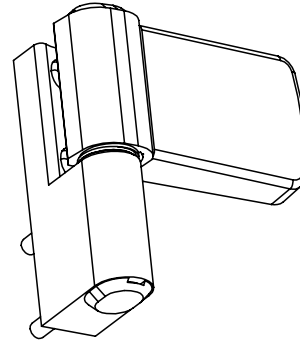
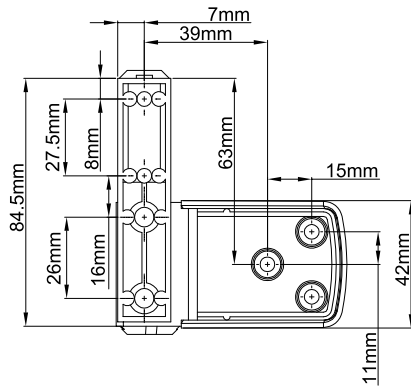


Product Code			Product Name
Ral 9016	Ral 8019	Ral 8003	
P21216	P21217	P21218	3D Adjustable Door Hinge Aluminum

Setting Applications Of 3D Adjustable Door Hinge Aluminum

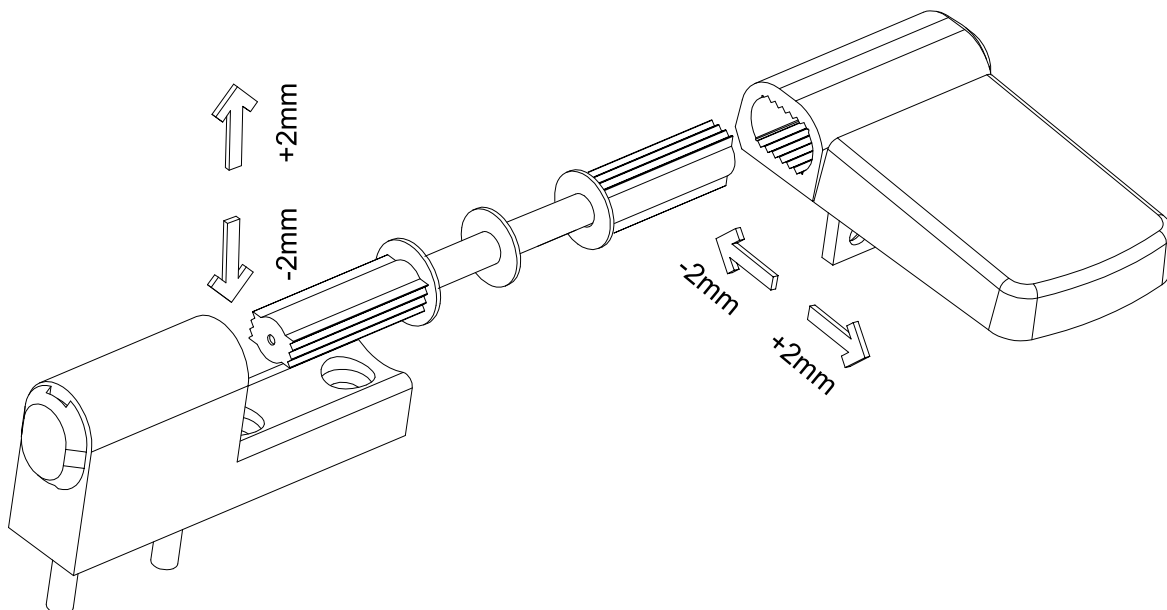


2D Adjustable Door Hinge

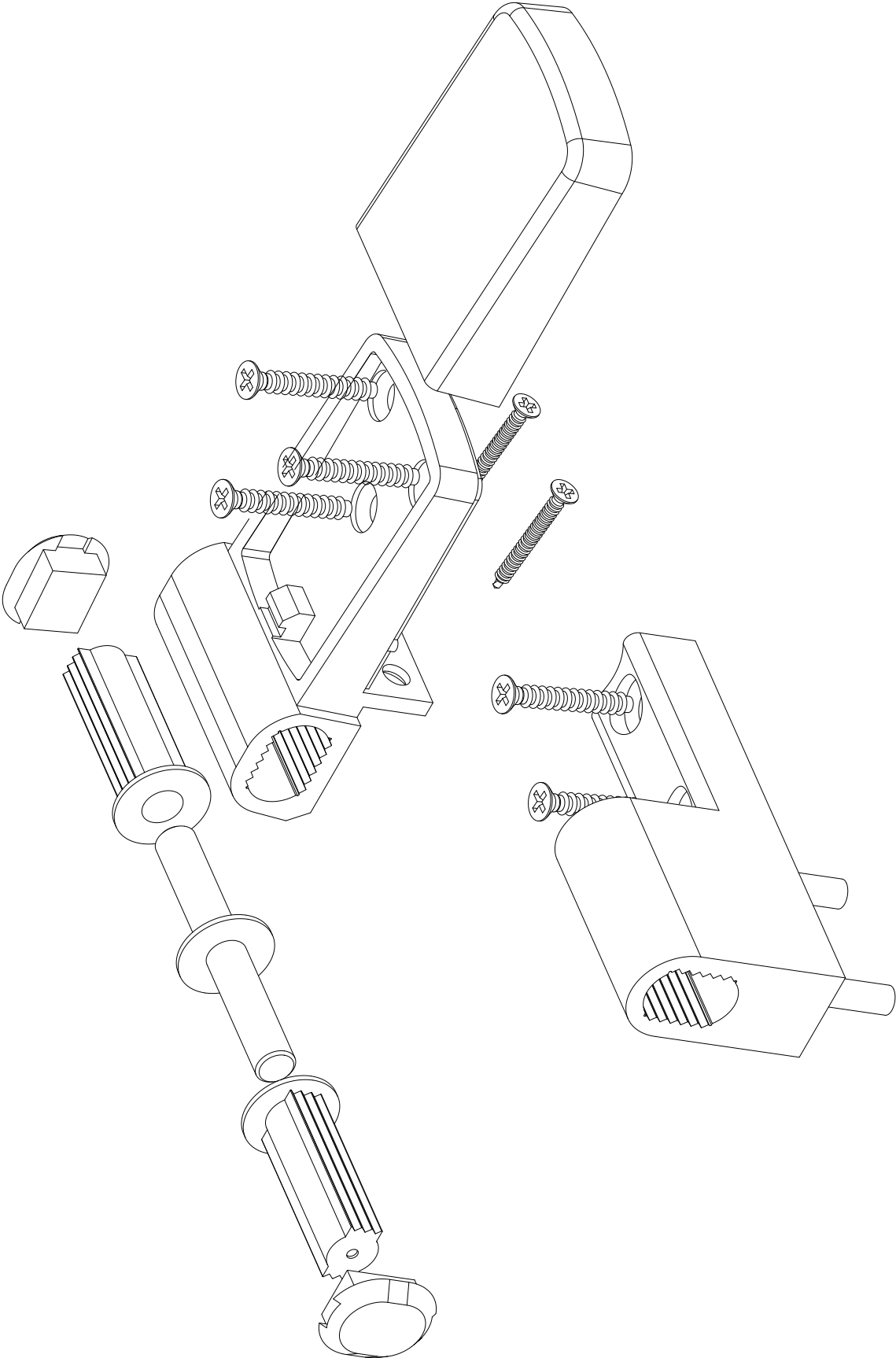


Product Code			Product Name
Ral 9016	Ral 8019	Ral 8003	2D Adjustable Door Hinge
P21028	P21029	P21030	

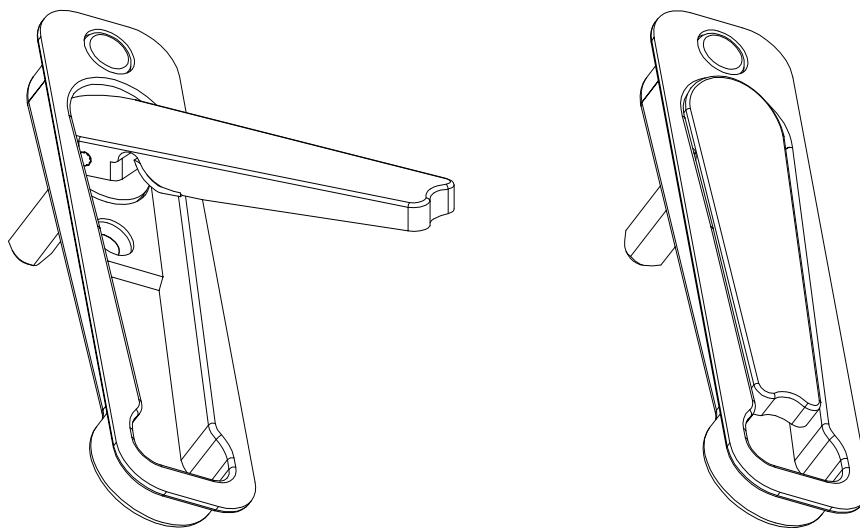
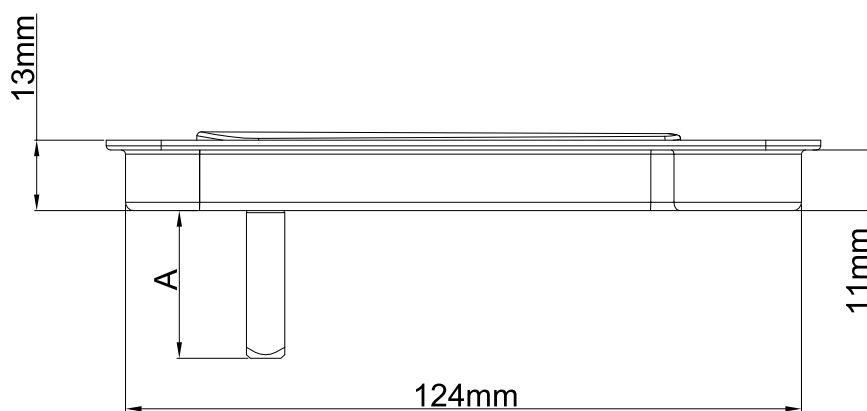
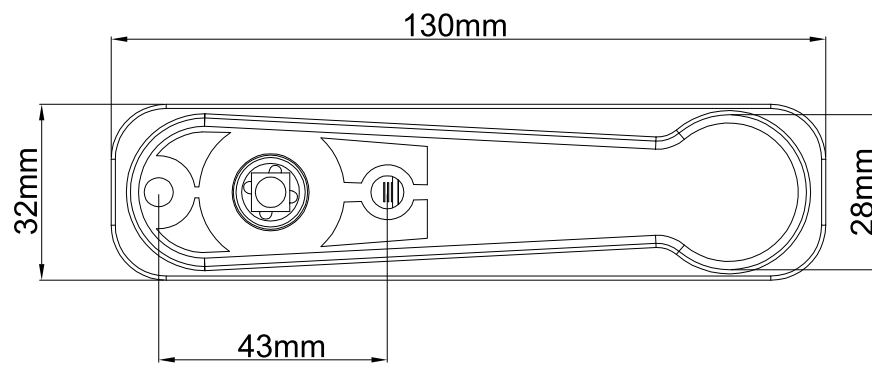
Setting Applications Of 2D Adjustable Door Hinge



2D Adjustable Door Hinge

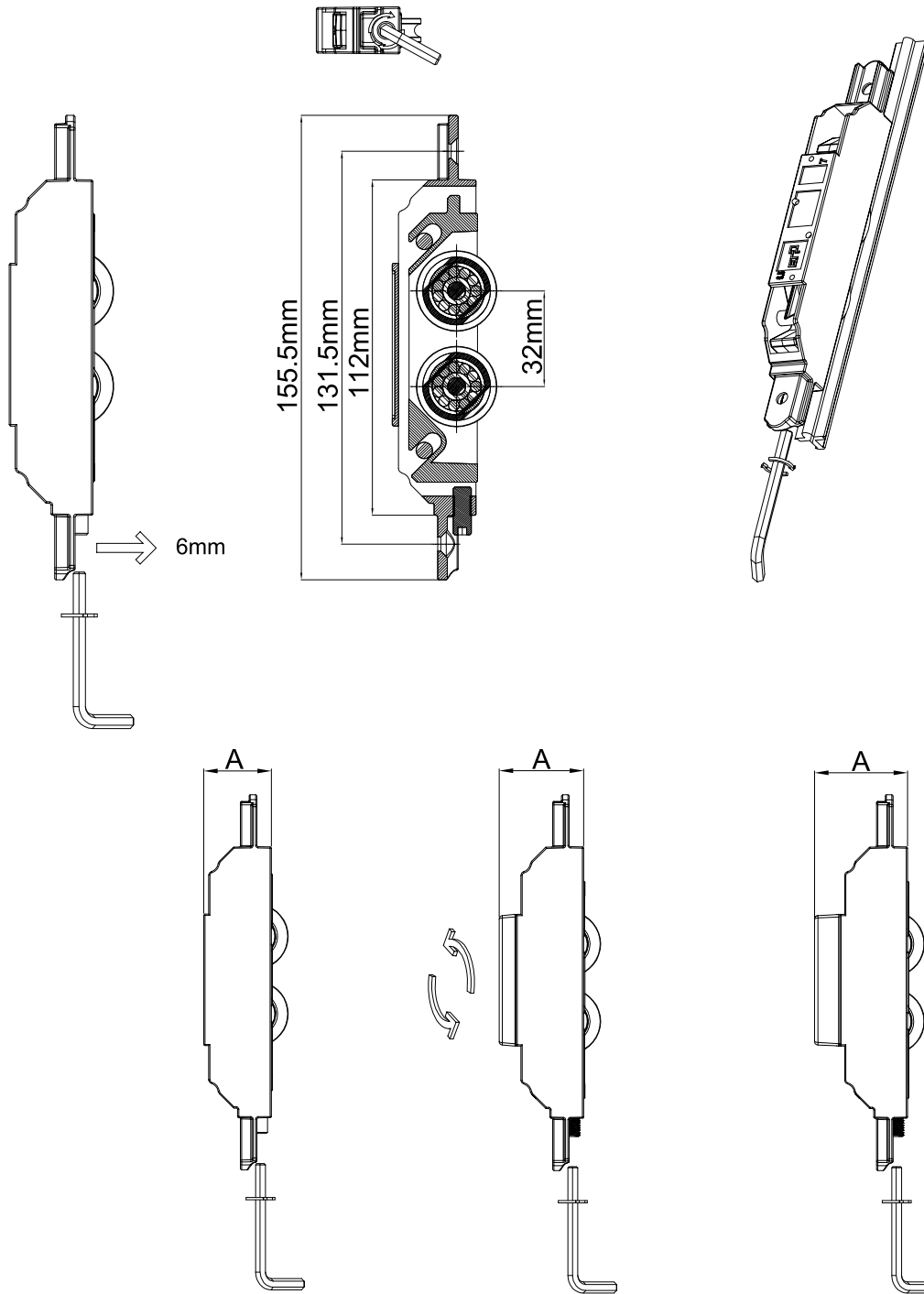


Sliding Handle



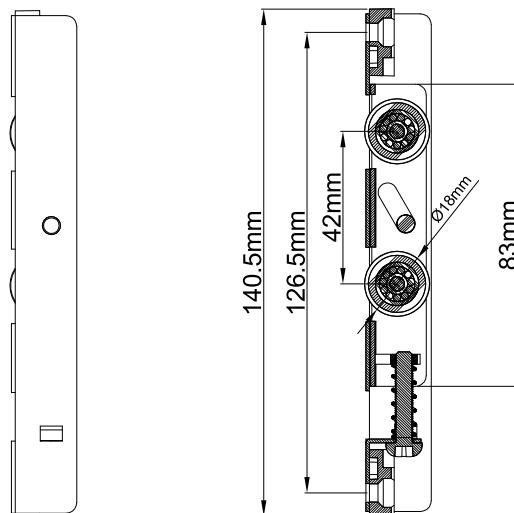
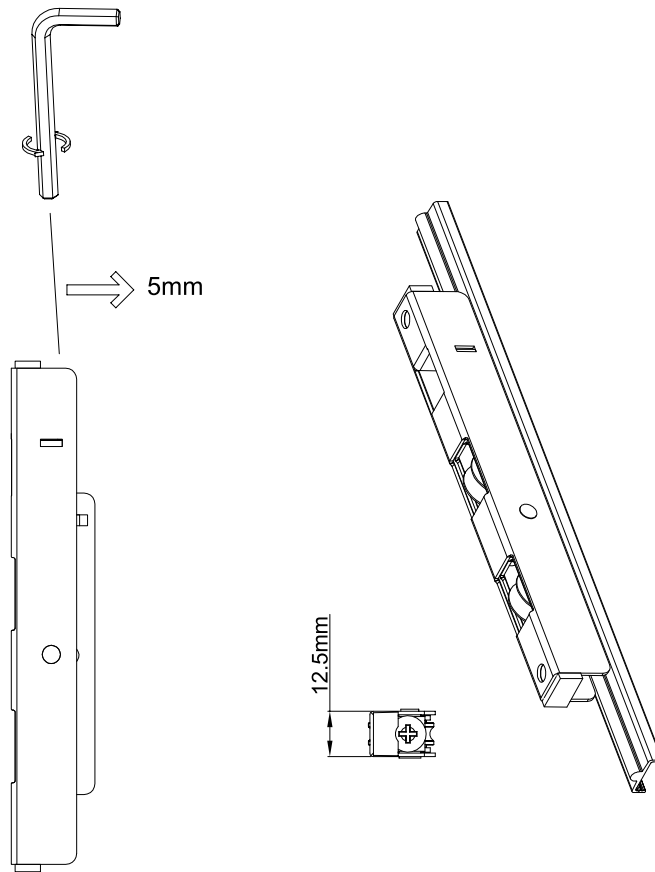
Product Code			Product Name	A(mm)
Ral 9016	Ral 8019	Ral 8003		
P22091	P22092	P22093	Sliding Handle 18 / 5X20	18mm
P22007	P22008	P22009	Sliding Handle 26 / 5X25	26mm

Double Roulments For Sliding Window (Zamak)



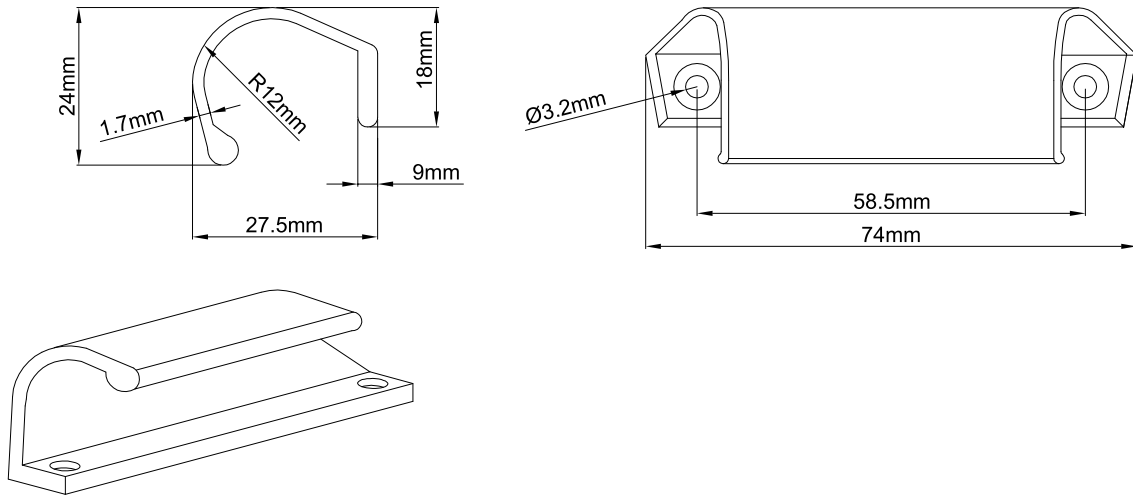
Product Code	Product Name	A(mm)
P22027	Double Roulments For Sliding Window	28mm
P22028	Double Roulments For Sliding Window With Support Wedge	34.5mm-35mm
P22545	Double Roulments For Sliding Window With Support Wedge	38.5mm

Double Roulments For Sliding Window (Sheet Metal)



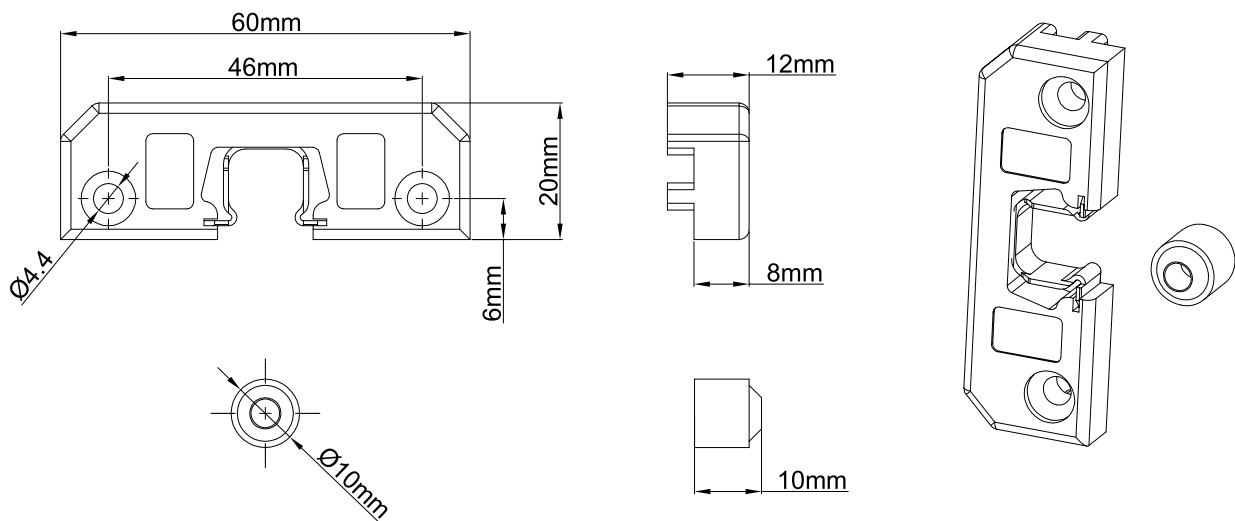
Product Code	Product Name
P22115	Double Roulments For Sliding Window (Sheet Metal)

C Handle



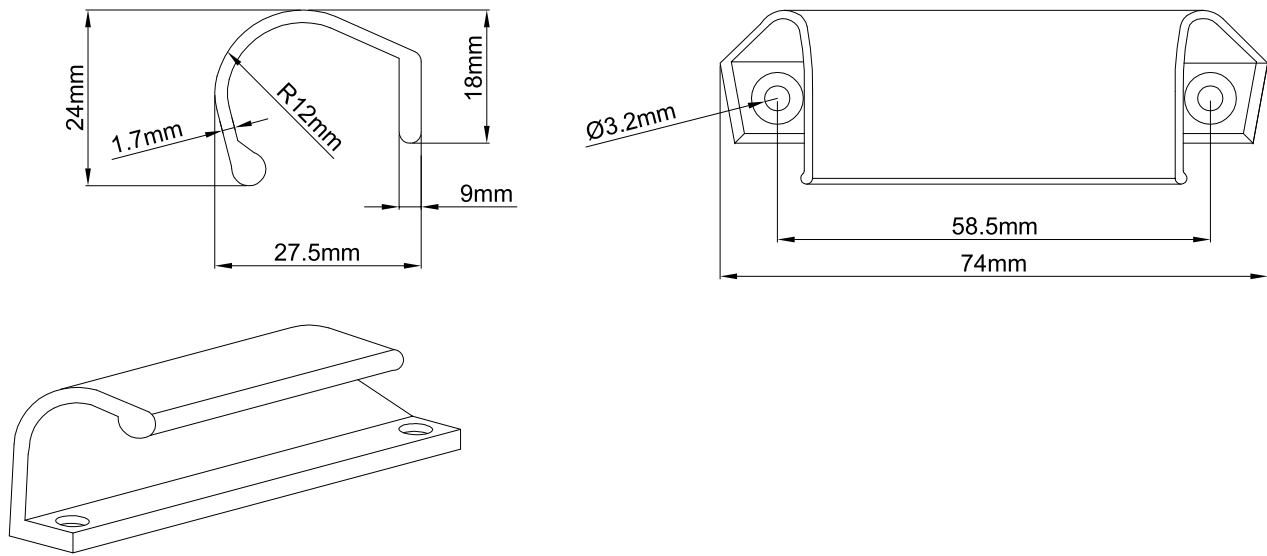
Product Code			Product Name
Ral 9016	Ral 8019	Ral 8003	C Handle
P22039	P22041	P22043	

Door Press Button



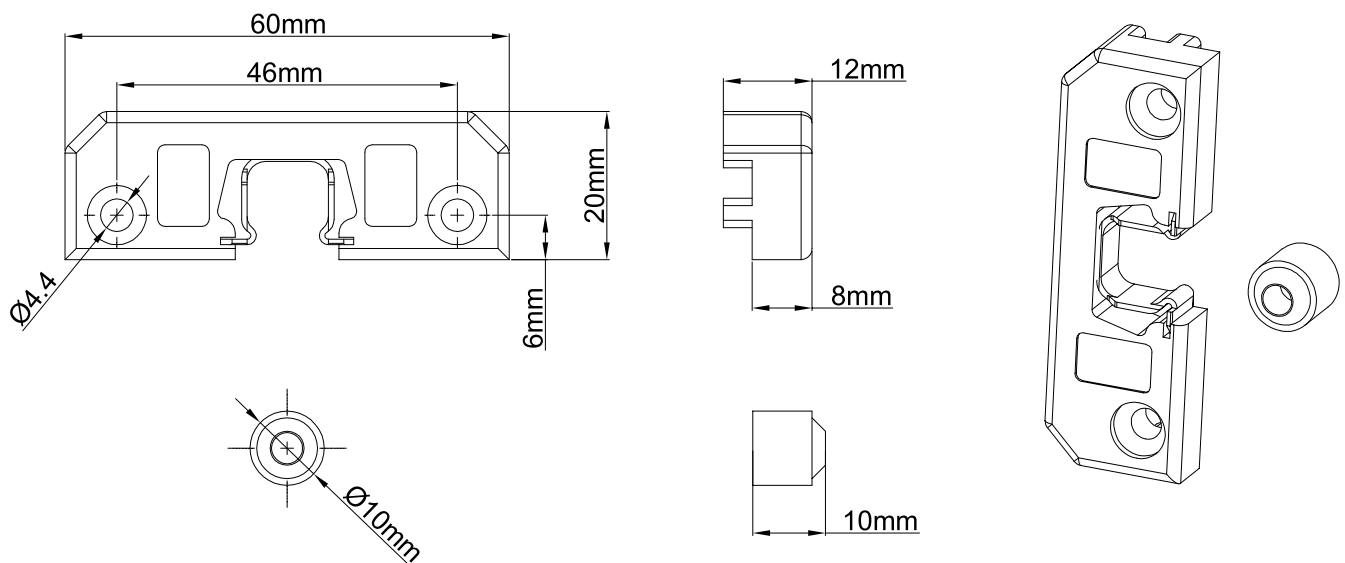
Product Code	Product Name
P22050	DOOR PRESS BUTTON 13 AKS

C Handle



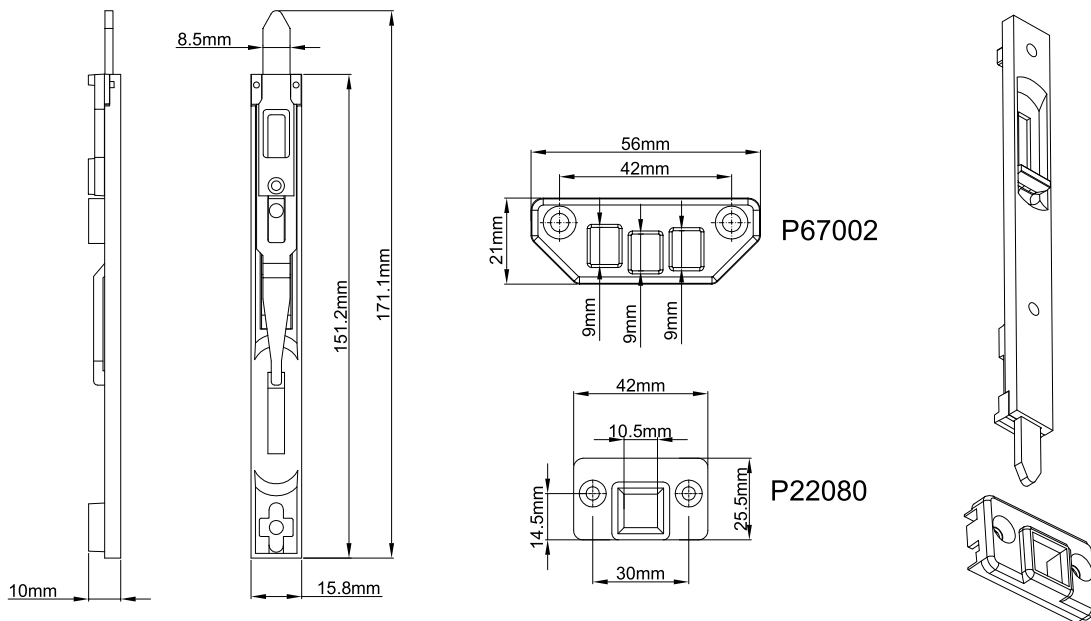
Product Code			Product Name
Ral 9016	Ral 8019	Ral 8003	C Handle
P22039	P22041	P22043	

Door Press Button



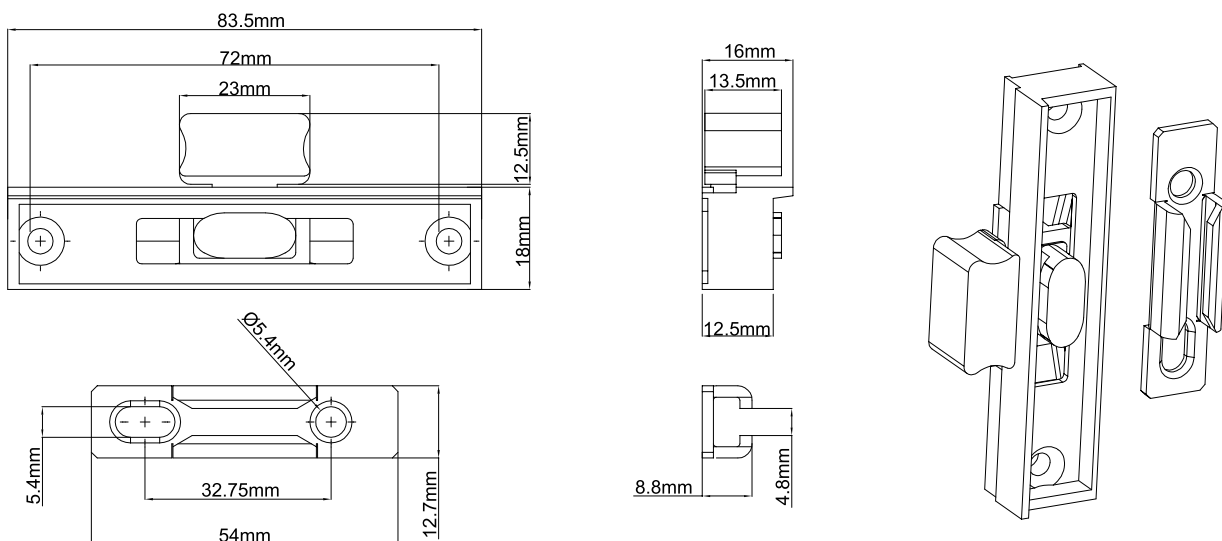
Product Code	Product Name
P22050	DOOR PRESS BUTTON 13 AKS

Striker Bolt



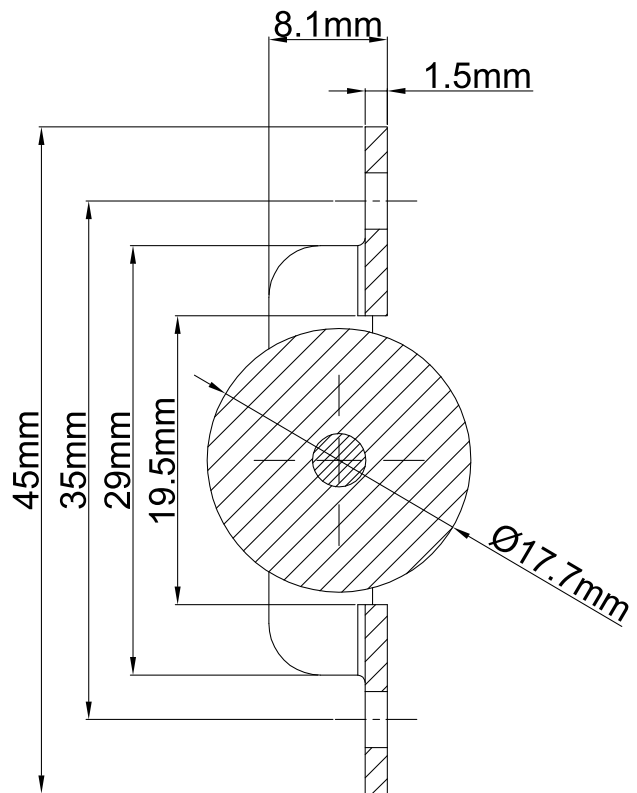
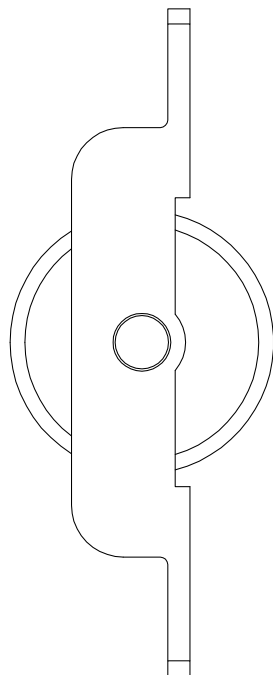
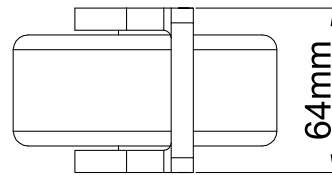
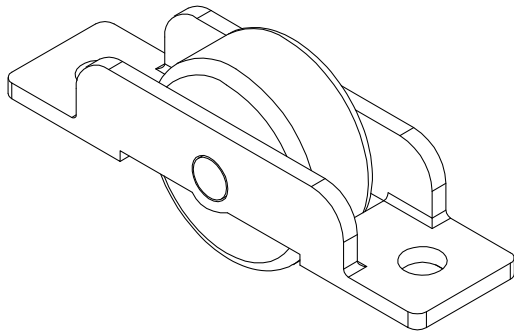
Product Code	Product Name
P22020	Striker Bolt

Side Lock For Sliding Windows



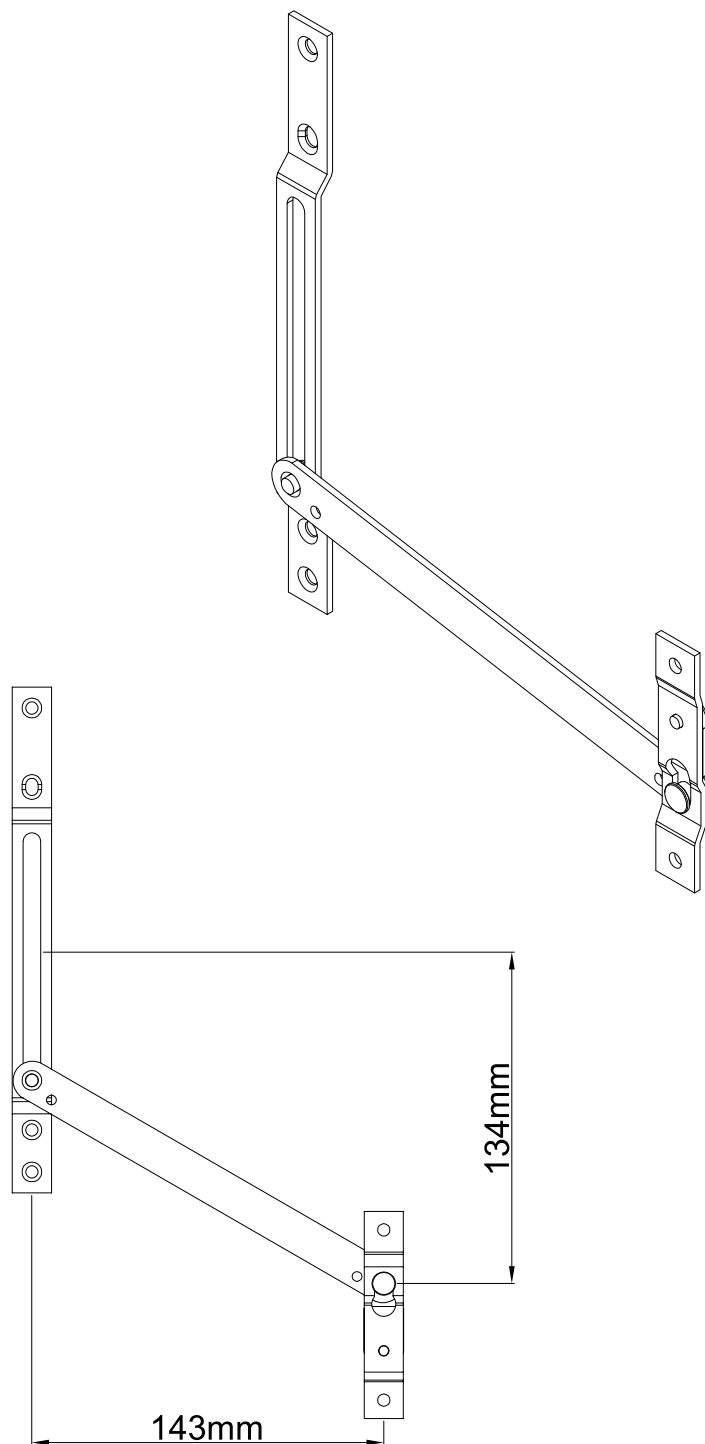
Product Code			Product Name
Ral 9016	Ral 8019	Ral 8003	Side Lock For Sliding Windows
P22016	P22017	P22018	

Flyscreen Sliding Roller



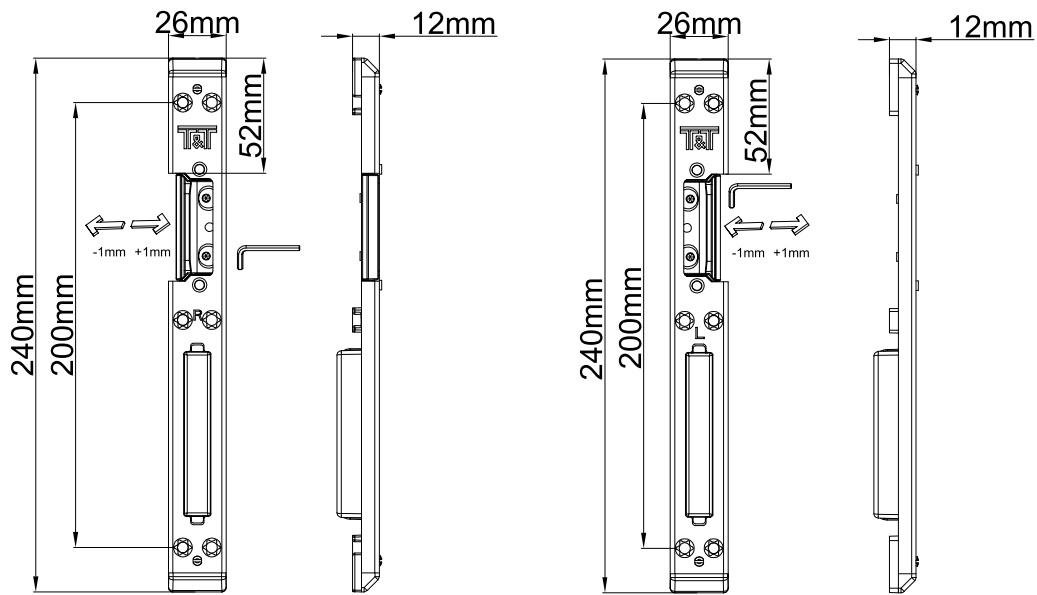
Product Code	Product Name
P22025	Flyscreen Sliding Roller

Tilt Arm



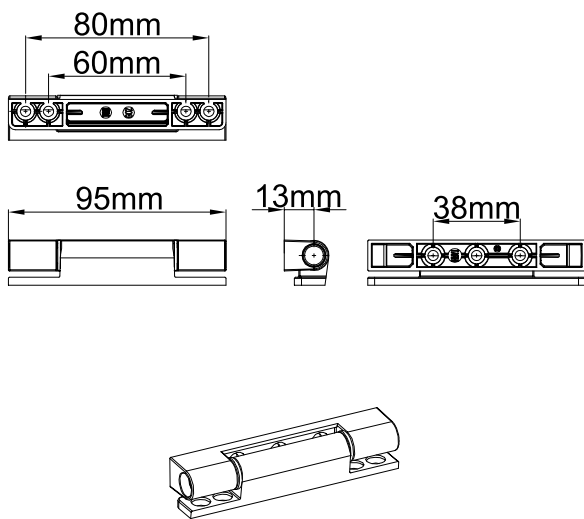
Product Code	Product Name
P22116	Tilt Arm

13 Aks Adjustable Door Lock Strike Right-Left



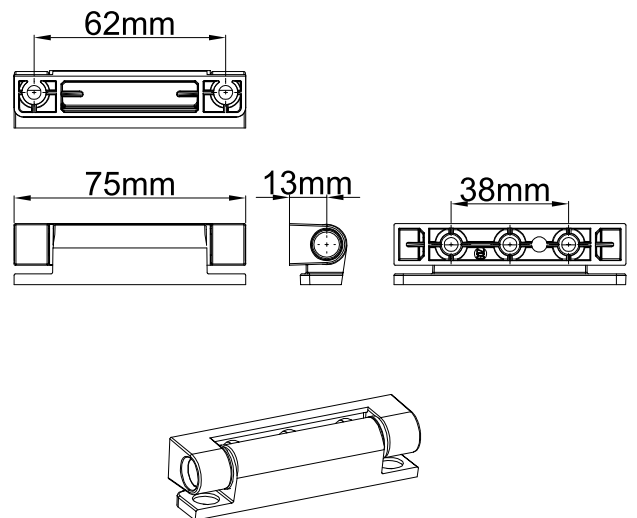
Product Code	Product Name
P22235-R	13 Aks Adjustable Door Lock Strike Right
P22235-L	13 Aks Adjustable Door Lock Strike Left

Door Hinge 100mm



Product Code			Product Name
Ral 9016	Ral 8019	Ral 8003	Door Hinge 100mm
P21102	P21103	P21104	

Door Hinge 75mm



Product Code			Product Name
Ral 9016	Ral 8019	Ral 8003	Door Hinge 75mm
P21110	P21111	P21112	



We are motivated to realize the integration and technological automation in every stage of the production, to become a worldwide known brand, and to go to the future enhancing our technological and commercial collaboration with international companies.

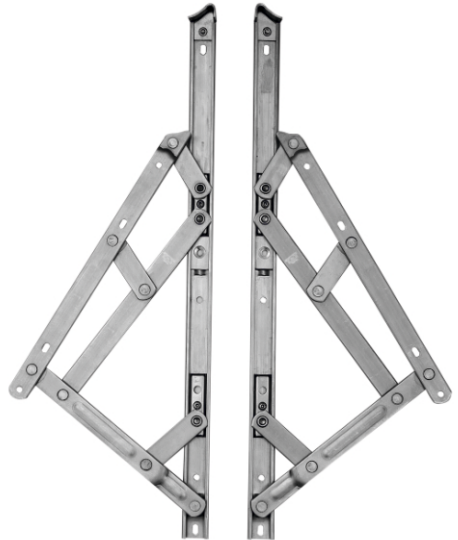
Because we know our targets



www.tandt.com.tr



quarter of a century of professional experience and knowledge in the aluminum industry...

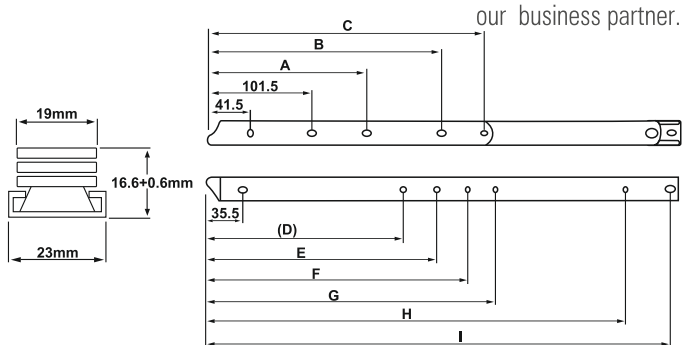


In today's architecture, the use of high quality and the right product is required to work safe and durable of outward-opening window systems and aluminum window systems that are preferred as an element of prestige.

T&T which always puts its signature to the firsts in PVC sector assesses its quarter of a century of professional experience and knowledge in the aluminum industry. We offer the functional and aesthetic AXIAL ARMS, FRONT SPRING AND ALUMINUM DOUBLE OPENING Systems with superior quality for aluminum windows and facade systems to our esteemed customers considered as our business partner.

HEAVY DUTY EXTERIOR SHEARS

- * 1800 mm height up to 110 kg blade weight
- * SS 304 stainless steel
- * High corrosion resistance
- * Safety, aesthetics and functionality
- * Balanced bedding system



CODE OF PRODUCT	NAME OF PRODUCT	A	B	C	(D)	E	F	G	H	I	TOTAL LENGTH (mm)	MAX.WIDTH (mm)	MAX.HEIGHT (mm)	MAX.CARRYING (kg)	MAX.OPENING SIZE(mm)
P36001	SS 304 EXTERIOR SURFACE TRUSS KIT 18	-	228.5	270.5	181.5	214.5	256	-	410.5	454.5	457	1.400	1.500	100	25
P36002	SS 304 EXTERIOR SURFACE TRUSS KIT 19	-	261.5	303.5	163	193	234.5	316.5	464	508.5	508	1.600	1.600	108	20
P36003	SS 304 EXTERIOR SURFACE TRUSS KIT 20	-	292.5	334.5	166	196	238	362	509.5	554.5	559	1.800	1.800	110	20

SkalaReklam 0507 564 13 91





Kazım Karabekir Cad No: 82 35170 Kemalpaşa - İzmir - Turkey Tel: +90 232 877 09 94 Fax: +90 232 877 09 95 info@tandt.com.tr

